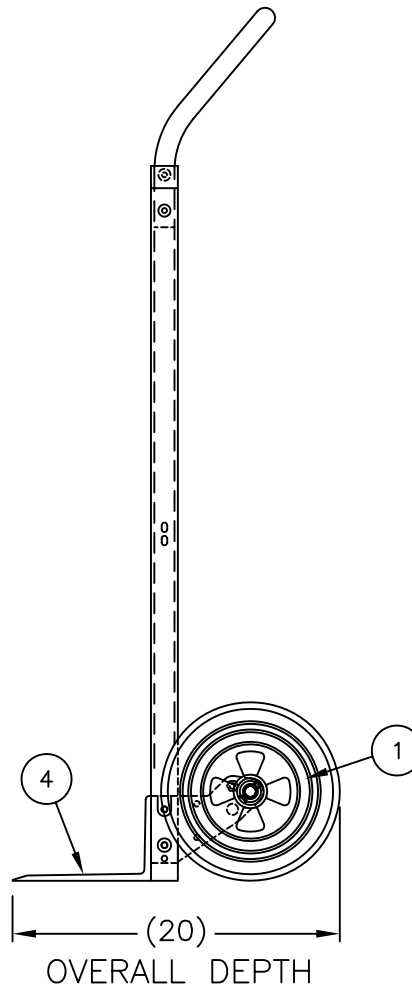
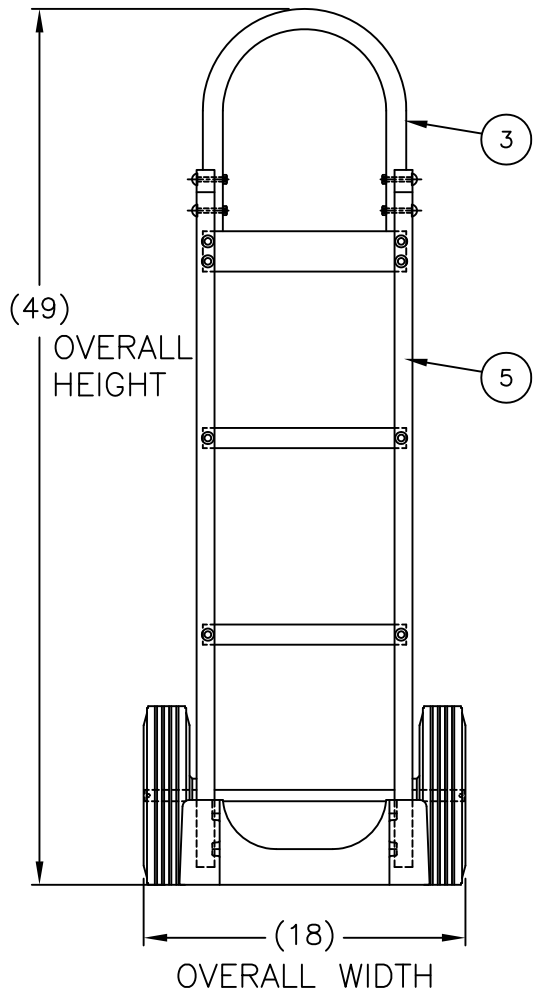


220370



REPLACEMENT PARTS LIST

ITEM	PART NO.	DESCRIPTION	QTY.
1	054230	KIT: WHEEL "Z2" WESCO-LITE	1
2	108990	BOX: 40-1/2" X 13 X 10	1
3	151512	HANDLE: CONTINUOUS	1
4	151521	NOSEPLATE (14")	1
5	153855	KIT: STRAIGHT FRAME #0	1

COBRA-LITE FEATURES:

- All aluminum construction.
- Heavy duty cast 7.5" X 14" or 7.5" X 18" wide nose plate options.
- Quality light weight truck at an economical price.
- Ships KD and boxed or as components
- Capacity: 600 lbs.
- Assembly option available.
- All 2" wide cross braces for additional strength. Great for advertising label.

Series 410 Features:

- Continuous handle.
- 49" overall height.
- Most popular model.
- Available with vinyl dipped handle.

P/N 220370

Model 410-T14-Z2
 Weight 31 lbs
 Capacity 600 lbs
 Box No
 Wheel 10" x 2.75"
 Type Solid Rubber
 Hub Poly Offset

THIS DRAWING IN ALL PARTICULARS IS WESCO MFR. CO. PROPERTY. ALL RIGHTS OF DESIGN, INVENTION OR USE OF ARE RESERVED.

PRINT ISSUED

APR 19, 2006

WESCO MANUFACTURING
 ENGINEERING DEPARTMENT

R	W	S	KL	APP
02-05-13			04-19-06	
UPDATED			DRAWN INTO CAD	
			UPDATED ROUTER	
B			A	

WESCO MANUFACTURING CO. NORTH WALES PENNA. 19454		PART NAME	410-T14-Z2 (COBRA-LITE)	DRAWN: SKH 4-21-93
				CHECKED: GRB 3-14-95
TOLERANCE UNLESS OTHERWISE SPECIFIED				APP. ENGR.
FRACTION	3 PLACE DECIMAL	2 PLACE DECIMAL	SCALE: 7" = 1"	
± 1/64	± .005	± .01		
ANGULAR ± 1-1/2"	SHEET 1 OF 1	B-220370 REV B		
BREAK ALL SHARP EDGES AND REMOVE ALL BURRS				