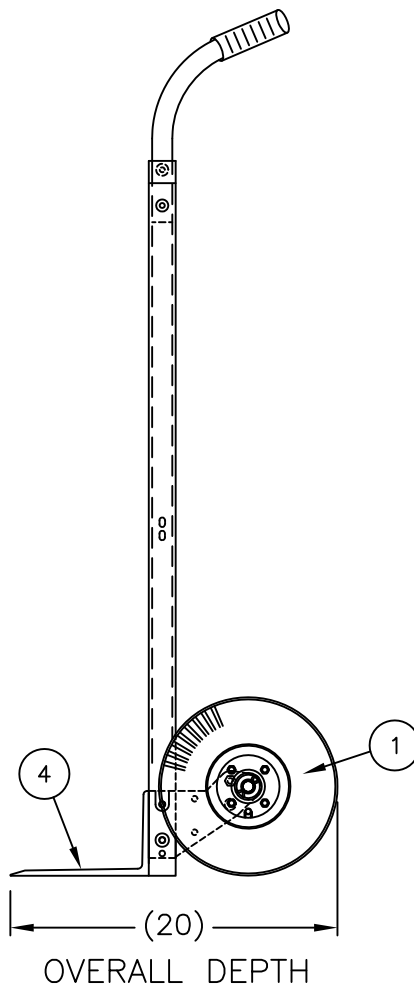
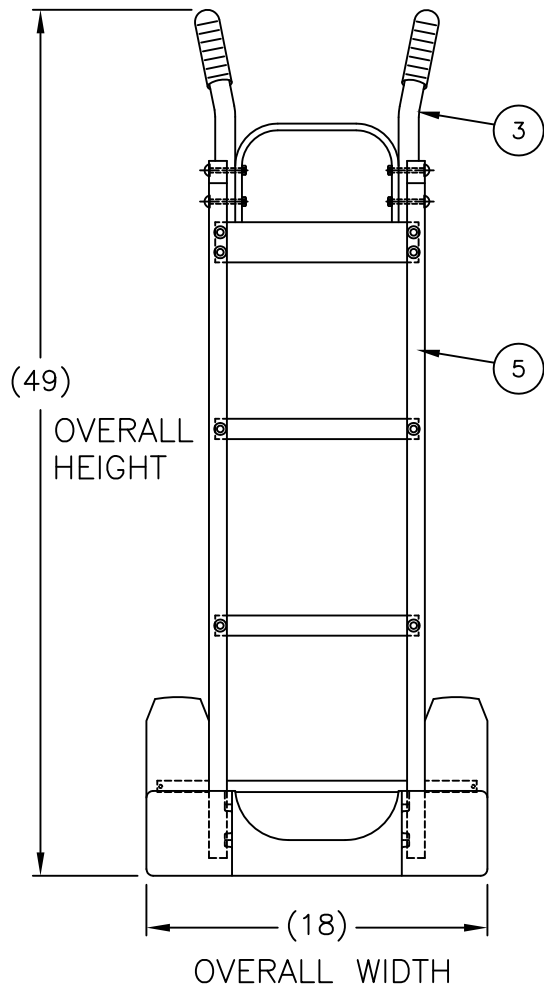


220367



REPLACEMENT PARTS LIST

ITEM	PART NO.	DESCRIPTION	QTY.
1	054231	KIT: WHEEL "PE" WESCO-LITE	1
* 2	108990	BOX: 40-1/2" X 13 X 10	1
3	151525	HANDLE: TWIN	1
4	151533	NOSEPLATE (18")	1
5	153855	KIT: STRAIGHT FRAME #0	1

COBRA-LITE FEATURES:

- All aluminum construction.
- Heavy duty cast 7.5" X 14" or 7.5" X 18" wide nose plate options.
- Quality light weight truck at an economical price.
- Ships KD and boxed or as components
- Assembly option available.
- All 2" wide cross braces for additional strength. Great for advertising label.

Series 450 Features:

- Twin handle style with vinyl grips.
- 49" overall height.

P/N 220367

Model 450-T18-PE
 Weight 22.5 lbs
 Capacity 600 lbs
 Box No
 Wheel 10" x 3.5"
 Type Pneumatic
 Hub Steel Offset

THIS DRAWING IN ALL PARTICULARS IS WESCO MFRG. CO. PROPERTY. ALL RIGHTS OF DESIGN, INVENTION OR USE OF ARE RESERVED.

PRINT ISSUED

APR 19, 2006

WESCO MANUFACTURING
ENGINEERING DEPARTMENT

R	W	S
02-06-13		
UPDATED		
04-19-06		
DRAWN INTO CAD		
UPDATED ROUTER		
B	A	REV.

WESCO MANUFACTURING CO. NORTH WALES PENNA. 19454		DRAWN: SKH 4-21-93
		CHECKED: GRB 3-14-95
PART NAME 450-T18-PE (COBRA-LITE)		APP. ENGR.
TOLERANCE UNLESS OTHERWISE SPECIFIED		
FRACTION	3 PLACE DECIMAL	2 PLACE DECIMAL
± 1/64	± .005	± .01
ANGULAR ± 1-1/2'	SHEET 1 OF 1	SCALE: 7" = 1"
BREAK ALL SHARP EDGES AND REMOVE ALL BURRS		B-220367 REV A