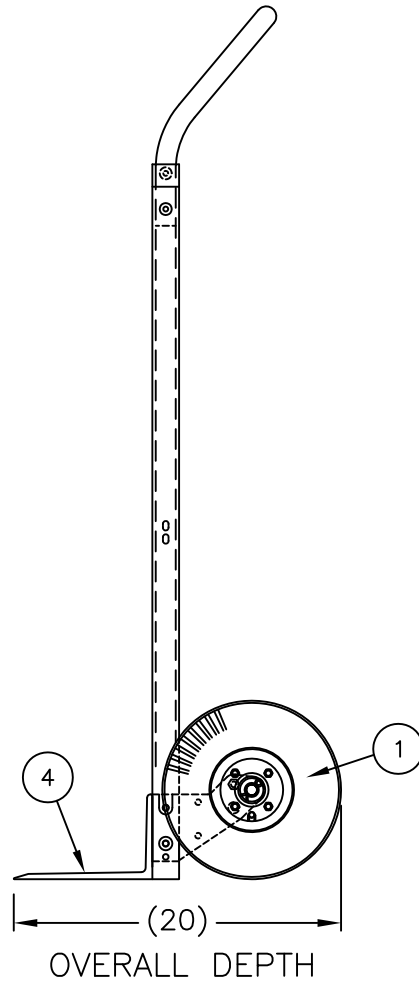
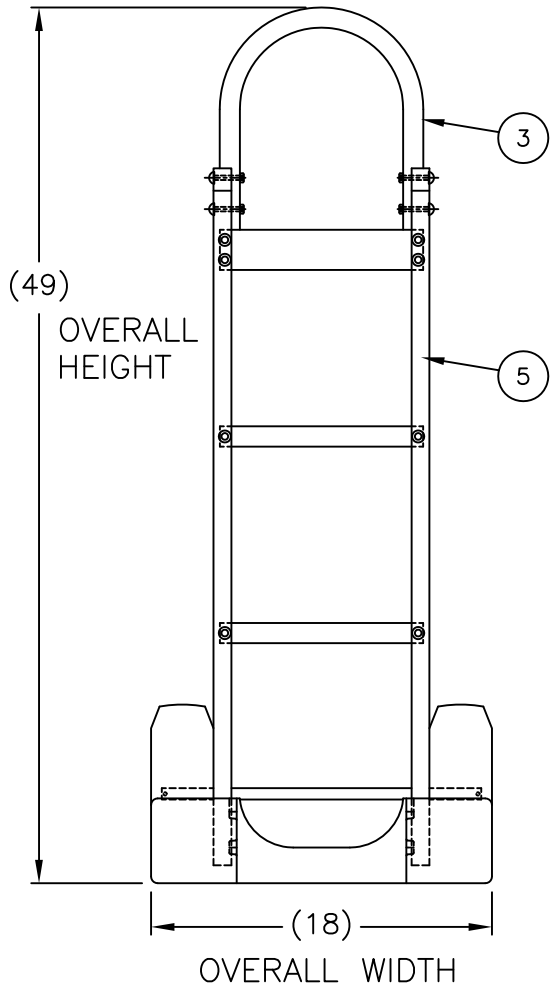


220365



REPLACEMENT PARTS LIST

ITEM	PART NO.	DESCRIPTION	QTY.
1	054231	KIT: WHEEL "PE" WESCO-LITE	1
2	108990	BOX: 40-1/2" X 13 X 10	1
3	151512	HANDLE: CONTINUOUS	1
4	151533	NOSEPLATE (18")	1
5	153855	KIT: STRAIGHT FRAME #0	1

COBRA-LITE FEATURES:

- All aluminum construction.
- Heavy duty cast 7.5" X 14" or 7.5" X 18" wide nose plate options.
- Quality light weight truck at an economical price.
- Ships KD and boxed or as components.
- Assembly option available.
- All 2" wide cross braces for additional strength. Great for advertising label.

Series 410 Features:

- Continuous handle.
- 49" overall height.
- Most popular model.
- Available with vinyl dipped handle.

P/N **220365**
 Model 410-T18-PE
 Weight 22 lbs
 Capacity 600 lbs
 Box No
 Wheel 10" x 3.5"
 Type Pneumatic
 Hub Steel Offset

THIS DRAWING IN ALL PARTICULARS IS WESCO MFR. CO. PROPERTY. ALL RIGHTS OF DESIGN, INVENTION OR USE OF ARE RESERVED.

PRINT ISSUED
 APR 19, 2006
 WESCO MANUFACTURING
 ENGINEERING DEPARTMENT

R	W	S
02-06-13		
UPDATED		
04-19-06		
DRAWN INTO CAD		
UPDATED ROUTER		
B	A	

WESCO MANUFACTURING CO. NORTH WALES PENNA. 19454		PART NAME 410-T18-PE (COBRA-LITE)	DRAWN: SKH 4-21-93 CHECKED: GRB 3-14-95 APP. ENGR.
		TOLERANCE UNLESS OTHERWISE SPECIFIED FRACTION 3 PLACE DECIMAL 2 PLACE DECIMAL ± 1/64 ± .005 ± .01 ANGULAR ± 1-1/2' SHEET 1 OF 1 BREAK ALL SHARP EDGES AND REMOVE ALL BURRS	