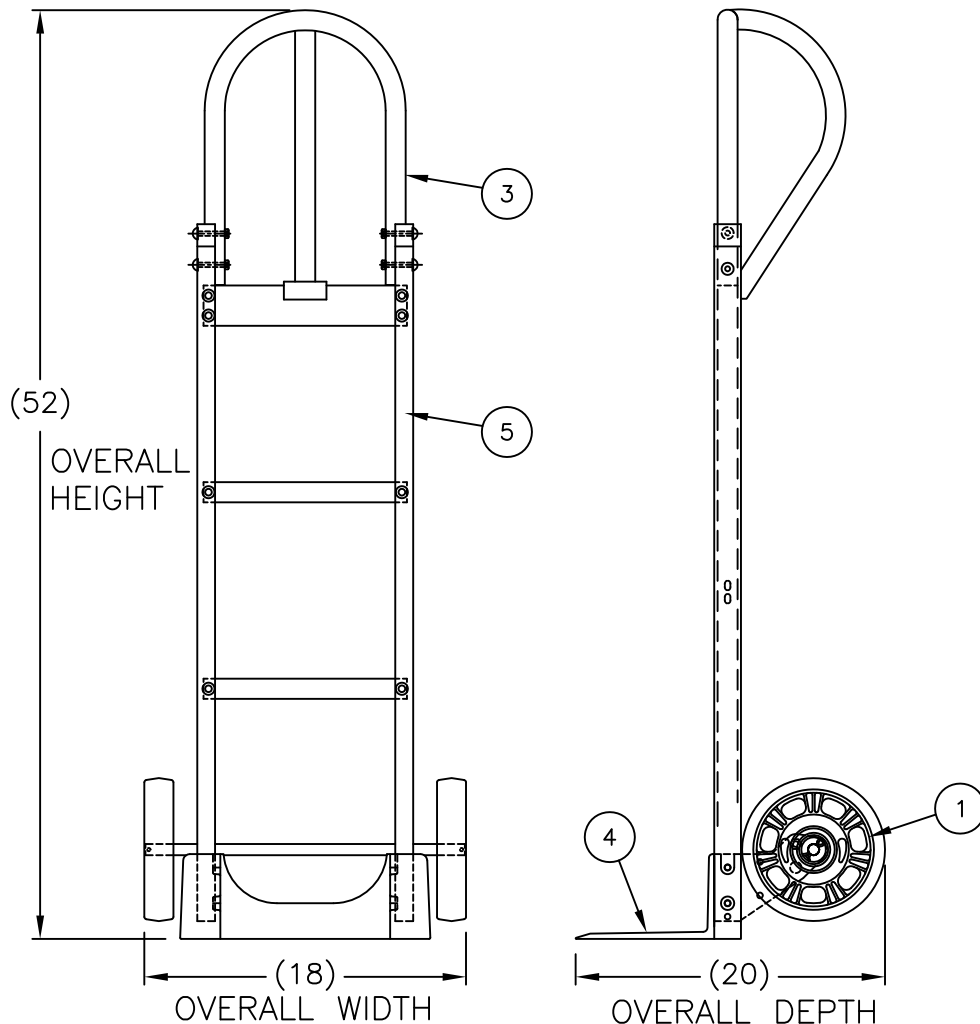


220335



REPLACEMENT PARTS LIST

ITEM	PART NO.	DESCRIPTION	QTY.
1	054048	KIT: WHEEL "R3" WESCO-LITE	1
2	108990	BOX: 40-1/2" X 13 X 10	1
3	151510	HANDLE: "D"	1
4	151521	NOSEPLATE (14")	1
5	153855	KIT: STRAIGHT FRAME #0	1

COBRA-LITE FEATURES:

- All aluminum construction.
- Heavy duty cast 7.5" X 14" or 7.5" X 18" wide nose plate options.
- Quality light weight truck at an economical price.
- Ships KD and boxed or as components
- Assembly option available.
- All 2" wide cross braces for additional strength.
- Great for advertising label.

Series 470 Features:

- High back loop handle.
- 52" overall height.

P/N 220335

Model 470-T14-R3
 Weight 20 lbs
 Capacity 600 lbs
 Box No
 Wheel 8" x 1.625"
 Type Moldon Rubber
 Hub Aluminum Offset

THIS DRAWING IN ALL PARTICULARS IS WESCO MFGR. CO. PROPERTY. ALL RIGHTS OF DESIGN, INVENTION OR USE OF ARE RESERVED.

	R	W	S	APP	WESCO MANUFACTURING CO. NORTH WALES PENNA. 19454		
	02-07-13				PART NAME 470-T14-R3 (COBRA-LITE)		DRAWN:
	UPDATED				TOLERANCE UNLESS OTHERWISE SPECIFIED		CHECKED:
					FRACTION	3 PLACE DECIMAL	2 PLACE DECIMAL
					± 1/64	± .005	± .01
					ANGULAR ± 1-1/2'	SHEET 1 OF 1	SCALE: 7" = 1"
B					BREAK ALL SHARP EDGES AND REMOVE ALL BURRS		B-220335 REV B