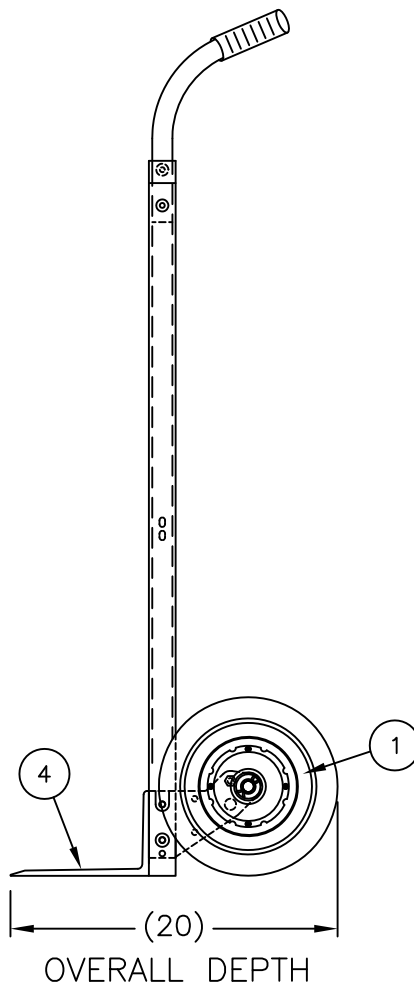
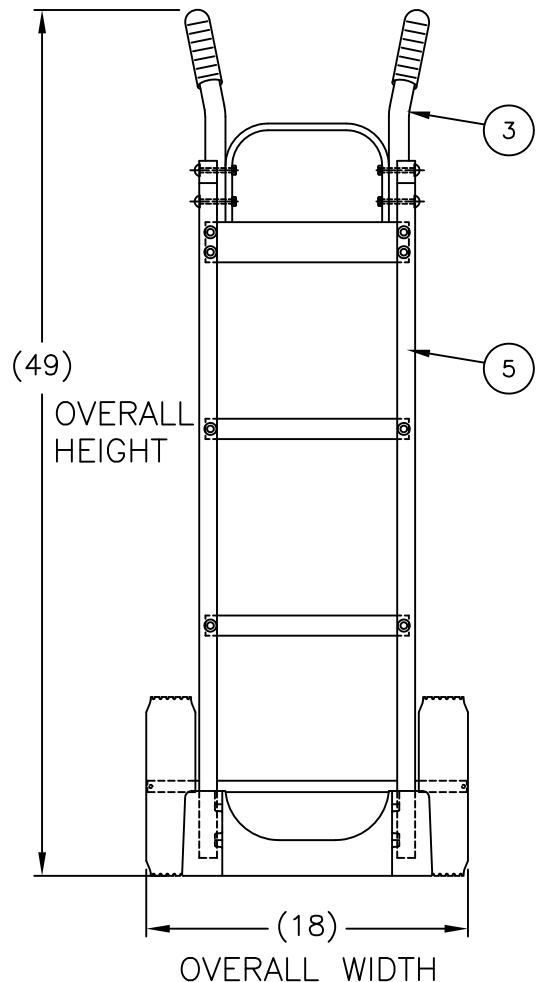


220327



REPLACEMENT PARTS LIST

ITEM	PART NO.	DESCRIPTION	QTY.
1	054047	KIT: WHEEL "Z" WESCO-LITE	1
2	108990	BOX: 40-1/2" X 13 X 10	1
3	151525	HANDLE: TWIN	1
4	151521	NOSEPLATE (14")	1
5	153855	KIT: STRAIGHT FRAME #0	1

COBRA-LITE FEATURES:

- All aluminum construction.
- Heavy duty cast 7.5" X 14" or 7.5" X 18" wide nose plate options.
- Quality light weight truck at an economical price.
- Ships KD and boxed or as components
- Assembly option available.
- All 2" wide cross braces for additional strength. Great for advertising label.

Series 450 Features:

- Twin handle style with vinyl grips.
- 49" overall height.

P/N 220327

Model 450-T14-Z
 Weight 28 lbs
 Capacity 600 lbs
 Box No
 Wheel 10" x 2.75"
 Type Semi-Pneumatic
 Hub Steel Offset

THIS DRAWING IN ALL PARTICULARS IS WESCO MFRG. CO. PROPERTY. ALL RIGHTS OF DESIGN, INVENTION OR USE OF ARE RESERVED.

REV.	ECN & DATE	REVISIONS	APP.
B	02-06-13	UPDATED	W S
WESCO MANUFACTURING CO. NORTH WALES PENNA. 19454			DRAWN: SKH 4-21-93 CHECKED: GRB 3-14-95 APP. ENGR.
PART NAME 450-T14-Z (COBRA-LITE)			SCALE: 7" = 1"
TOLERANCE UNLESS OTHERWISE SPECIFIED FRACTION 3 PLACE DECIMAL 2 PLACE DECIMAL $\pm 1/64$ $\pm .005$ $\pm .01$			SHEET 1 OF 1 B-220327 REV B
ANGULAR $\pm 1-1/2'$ BREAK ALL SHARP EDGES AND REMOVE ALL BURRS			