

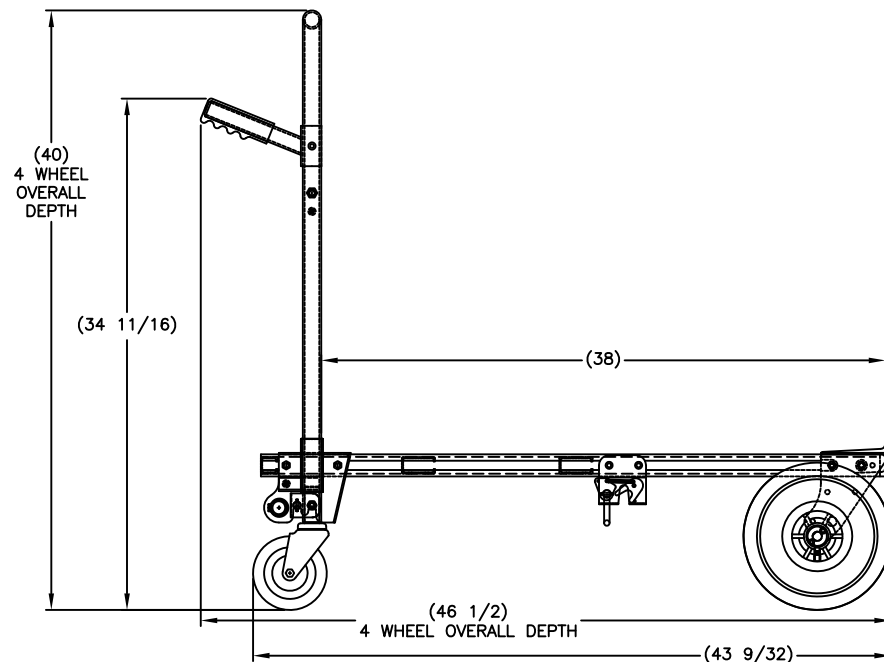
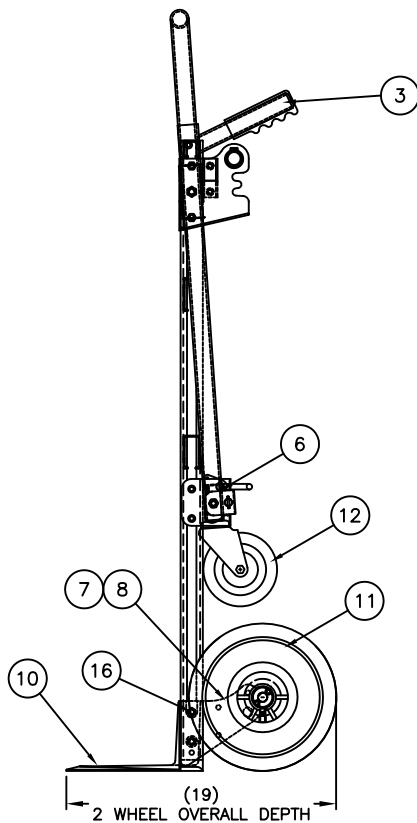
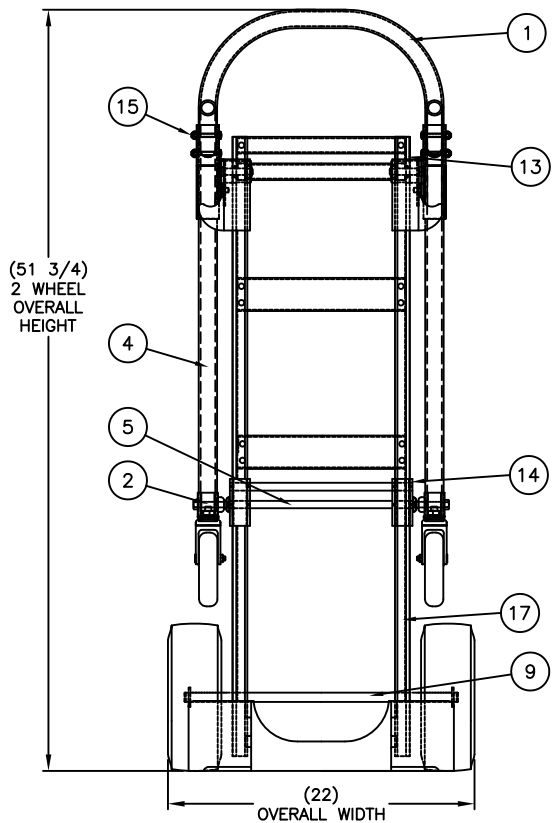
P/N 220000
 Model SPTN-JR-T18-PE
 Overall width: 22"
 Overall height: 52"
 Overall depth: 19"
 Capacity 2 wheel: 500 lbs
 Capacity 4 wheel: 1,000 lbs
 Frame bed: 12" x 38"
 Wheel: 10" Pneumatic
 Caster: 5"
 Weight: 37.5 lbs

Spartan Economy 2 in 1 Truck

- Value-priced truck.
- Sturdy, light weight aluminum frame.
- 18" wide noseplate for large loads.
- Extra strength noseplate cast from special aluminum alloy.
- Non-marking 5" x 1.25" swivel casters.
- Pedal release allows easy conversion from 2-wheel to 4-wheel position.

REPLACEMENT PARTS LIST

| ITEM | PART NO. | DESCRIPTION | QTY. |
|------|----------|--------------------------------|------|
| 1 | 151575 | HANDLE: SPARTAN JR | 1 |
| 2 | 151571 | SWIVEL HANDLE | 2 |
| 3 | 151562 | HANDLE: PIN W/ GRIP | 2 |
| 4 | 151572 | HANDLE: UPPER ASS'Y W/ BRACKET | 1 |
| 5 | 151584 | ASSEMBLY: SPREADER BAR | 1 |
| 6 | 151568 | RELEASE MECHANISM | 1 |
| 7 | 151508 | BOX: AXLE RH | 1 |
| 8 | 151509 | BOX: AXLE LH | 1 |
| 9 | 151564 | AXLE | 1 |
| 10 | 151527 | NOSEPLATE | 1 |
| 11 | 151551 | WHEEL: "PE" PNEUMATIC | 2 |
| 12 | 151561 | CASTER | 2 |
| 13 | 151573 | SPACER | 2 |
| 14 | 151574 | BLOCK | 4 |
| 15 | 151563 | KIT: HARDWARE FOR HANDLE/AXLE | 1 |
| 16 | 220311 | KIT: HARDWARE FOR CASTER | 2 |
| 17 | 055127 | CHANNEL FILLER | 2 |



THIS DRAWING IS THE PROPERTY OF WESCO MANUFACTURING CO. ALL RIGHTS OF DESIGN, INVENTION OR USE OF ARE RESERVED.

| | |
|---|---------------------|
| WESCO MANUFACTURING CO. NORTH WALES, PENNSA. 19454 | |
| PART NAME SPTN-JR-T18-PE | DRAWN: RWS 01-24-14 |
| FUNCTION 3 PLACE SERIAL | CHECKED: |
| TOLERANCE UNLESS OTHERWISE SPECIFIED Ø .0005 HOLE .0005 | APP. ENGR: |
| ISSUE 1 OF 1 REVISE 1-1/77 1 SHEET 1 OF 1 | SCALE: |
| DRINK ALL SHARP EDGES AND REMOVE ALL BURRS | D-220000 |