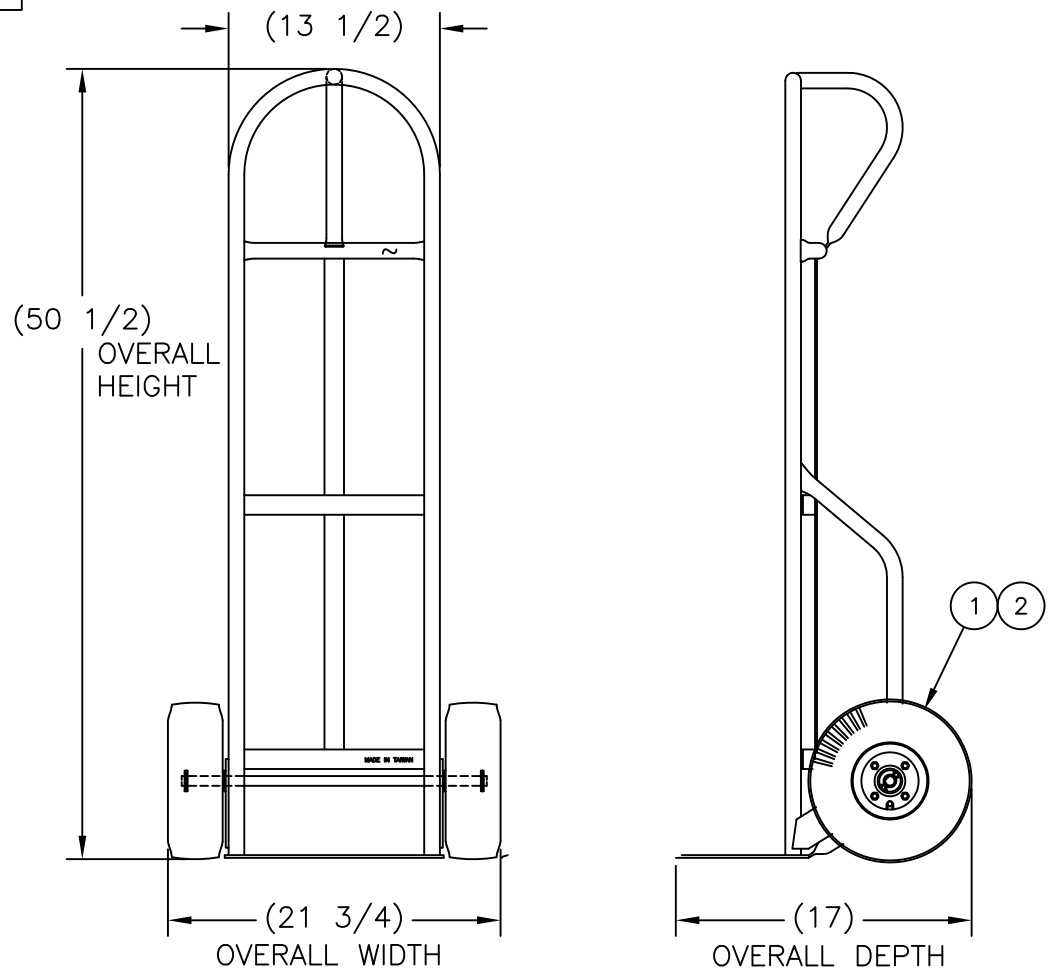


210457



REPLACEMENT PARTS LIST			
ITEM	PART NO.	DESCRIPTION	QTY.
1	050602	WHEEL "P" (10ø X 3-1/2")	2
2	053900	AXLE "D" (19-1/2")	1
FOLDING NOSE EXT'N OPTION			
ITEM	PART NO.	DESCRIPTION	QTY.
	210249	FNG-24K, FOLDING NOSE EXT'N	1
	050045	PIVOT ROD (FN-24)	1
	108232	RETAINING HOOK (FN-24)	1

**GREENLINE STANDARD DUTY STEEL HANDTRUCKS
626D Series**

- Single loop handle w/curved back design.
- Welded frame construction.
- 1" OD x 14ga wall tubular frame
- Economically priced.
- Green enamel finish.
- Zinc plated auto-loc axles assure smooth wheel rotation.
- 8" or 10" wheel on all frames
- 7" deep x 14" wide 7ga noseplate w/ radiused corners.

P/N 210457

Model 626D-P
 Weight 29 lbs
 Capacity 600 lbs
 Box NO
 Wheel 10" x 3.5"
 Type Steel Offset
 Hub Pneumatic

THIS DRAWING IN ALL PARTICULARS IS WESCO MFRG. CO. PROPERTY. ALL RIGHTS OF DESIGN, INVENTION OR USE OF ARE RESERVED.

PRINT ISSUED

JUN 22 2007

WESCO MANUFACTURING
ENGINEERING DEPARTMENT

R 01-24-13 W A S UPDATED	REV. EGN & DATE	WESCO MANUFACTURING CO.		NORTH WALES		PENNA. 19454	
		PART NAME			DRAWN: LDU 8-19-99		
		626D-P			CHECKED:		
		TOLERANCE UNLESS OTHERWISE SPECIFIED			APP. ENGR.		
FRACTION		3 PLACE DECIMAL		2 PLACE DECIMAL		SCALE: 1/8" = 1"	
± 1/64		± .005		± .01		B- 210457	
ANGULAR ± 1-1/2"		SHEET 1 OF 1		REV		A	
BREAK ALL SHARP EDGES AND REMOVE ALL BURRS							