

210375

REPLACEMENT PARTS LIST

ITEM	PART NO.	DESCRIPTION	QTY.
1	151551	WHEEL: PE, 10 X 3-1/2	2
2	210099	24 FLD. NOSE W/HRDWARE	1
3	050045	PIVOT ROD (FN-24)	1
4	108232	RETAINING HOOK (FN-24)	1
5	050052	AXLE, "D", 19-7/8"	1

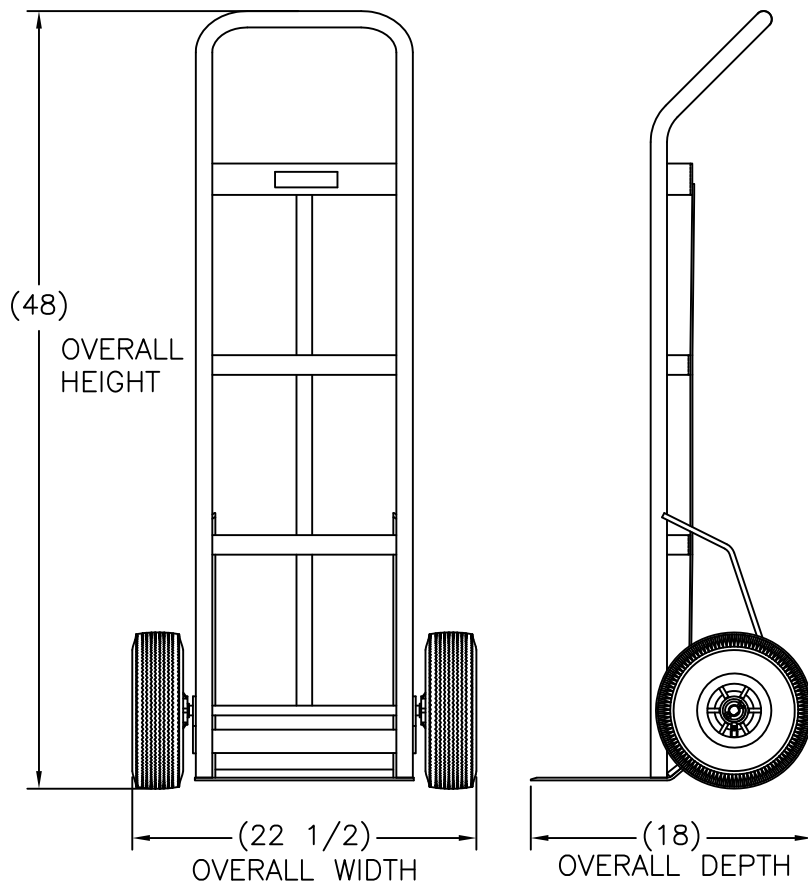
100 SERIES INDUSTRIAL
HAND TRUCKS

- A 5 year guarantee against weld failure. A Wesco quality exclusive.
- Industrial strength heavy duty schedule 40 pipe frame construction.
- Ribbed cross braces for extra strength.
- All joints double welded.
- 8" deep x 14" wide nose is 7 gauge thick plate with machined beveled edge and radiused corners for safety.
- Zinc plated Auto-Loc axles assure smooth wheel rotation.
- All frame handle 8" or 10" wheels.
- Orange enamel finish.
- Vinyl handle grips are standard on appropriate frames.

SERIES 156

- Swept back continuous handle with curved back design.
- Very popular frame that allows one or two hand control.
- Four horizontal cross straps and vertical center strap provide support for small packages.

P/N 210375
 Model: 156-PE
 Capacity: 700 lbs
 Weight: 34 lbs
 Boxed: No
 Hub: Steel Offset
 Dimensions: 10" x 3.5"
 Wheel Type: Pneumatic



PRINT ISSUED

DEC 29, 2006

WESCO MANUFACTURING
ENGINEERING DEPARTMENT

R W S APP

01-17-13

UPDATED

APP

EON & DATE

REVISIONS

REV.

REV.

WESCO MANUFACTURING CO.

NORTH WALES

PENNA. 19454

PART NAME

156-PE

DRAWN: LDU 7-10-00

CHECKED:

APP. ENGR.

TOLERANCE UNLESS OTHERWISE SPECIFIED

FRACTION 3 PLACE DECIMAL 2 PLACE DECIMAL

± 1/64 ± .005 ± .01

ANGULAR ± 1-1/2" SHEET 1 OF 1

BREAK ALL SHARP EDGES AND REMOVE ALL BURRS

SCALE: 1:8

B- 210375

REV

C