

REPLACEMENT PARTS LIST

ITEM	PART NO.	DESCRIPTION	QTY.
1	151551	WHEEL: PE, 10 X 3-1/2	2
2	210099	24 FLD. NOSE W/HRDWARE	1
3	050045	PIVOT ROD (FN-24)	1
4	108232	RETAINING HOOK (FN-24)	1
5	050052	AXLE, "D", 19-7/8"	1

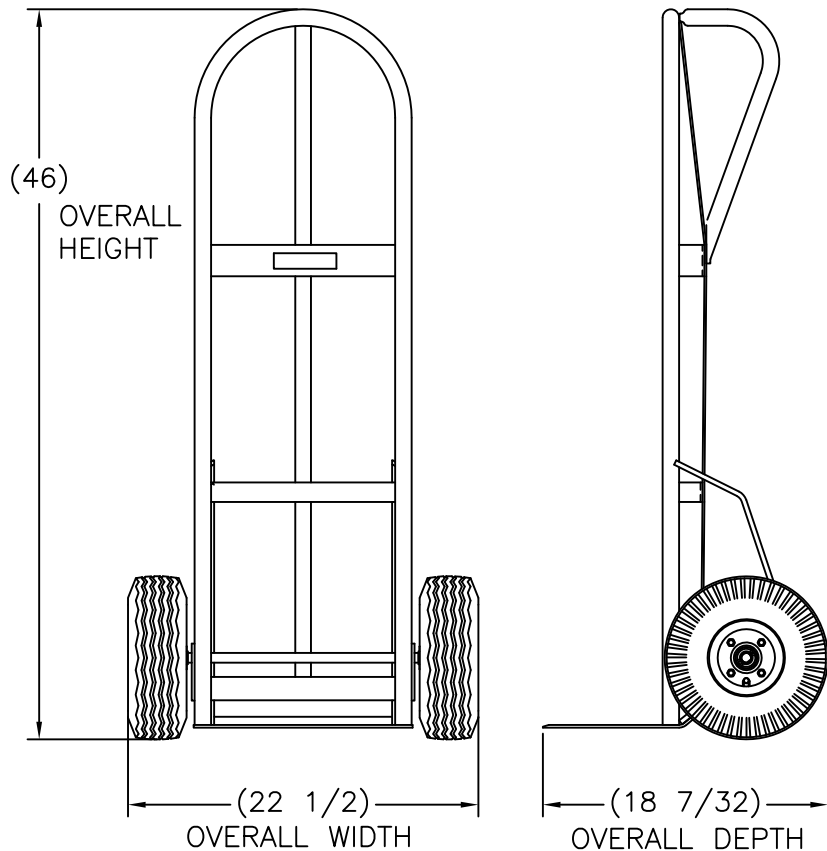
100 SERIES INDUSTRIAL HAND TRUCKS

- A 5 year guarantee against weld failure. A Wesco quality exclusive.
- Industrial strength heavy duty schedule 40 pipe frame construction.
- Ribbed cross braces for extra strength.
- All joints double welded.
- 8" deep x 14" wide nose is 7 gauge thick plate with machined beveled edge and radiused corners for safety.
- Zinc plated Auto-Loc axles assure smooth wheel rotation.
- All frame handle 8" or 10" wheels.
- Orange enamel finish.
- Vinyl handle grips are standard on appropriate frames.

SERIES 126D

- Single "D" shaped handle allows multiple hand positions for one hand control.
- Ideal for boxes, kegs, and packages.
- Three horizontal cross straps and full height vertical center strap offer support for small packages.

P/N 210371  
 Model: 126D-PE  
 Capacity: 700 lbs  
 Weight: 35 lbs  
 Boxed: No  
 Hub: Steel Offset  
 Dimensions: 10" x 3.5"  
 Wheel Type: Pneumatic



PRINT ISSUED

DEC 29, 2006

WESCO MANUFACTURING  
ENGINEERING DEPARTMENT

R 01-16-13	W UPDATED	S APP	WESCO MANUFACTURING CO.	
			NORTH WALES	PENNA. 19454
REV. C	EON & DATE REVISONS	APP	PART NAME	DRAWN: LDU 7-10-00
			126D-PE	CHECKED:
			TOLERANCE UNLESS OTHERWISE SPECIFIED	APP. ENGR.
			FRACTION 3 PLACE DECIMAL 2 PLACE DECIMAL	SCALE: 1:8
			± 1/64 ± .005 ± .01	
			ANGULAR ± 1-1/2"	SHEET 1 OF 1
			B- 210371	
			REV	C
BREAK ALL SHARP EDGES AND REMOVE ALL BURRS				