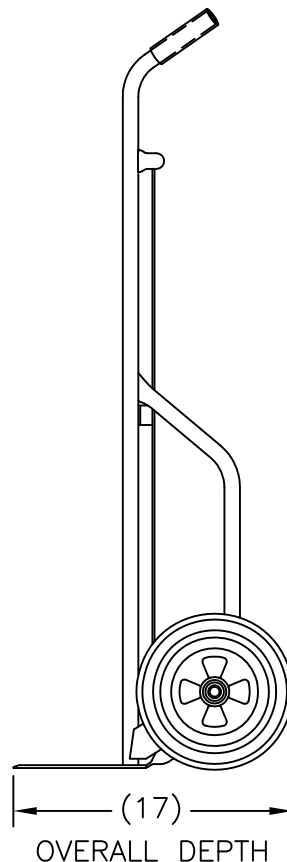
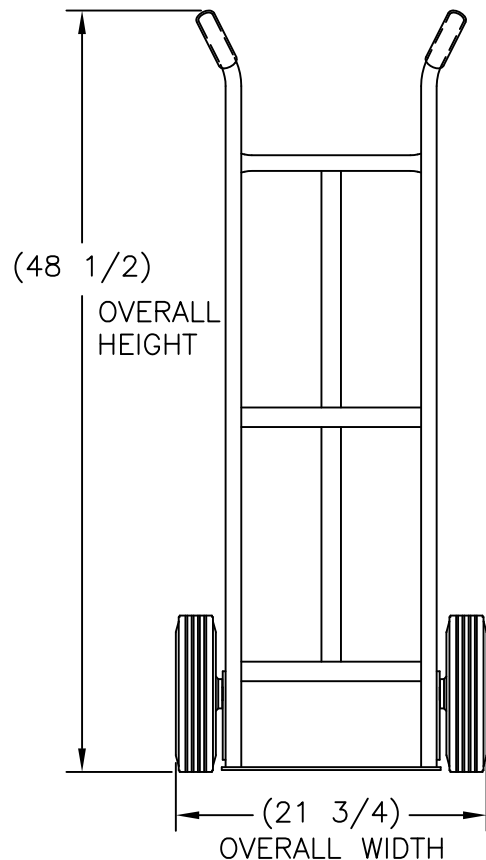


210363



REPLACEMENT PARTS LIST

ITEM	PART NO.	DESCRIPTION	QTY.
1	150698	WHEEL "Z2" (10 ϕ X 2-3/4")	2
2	053900	AXLE "D" (19-1/2")	1
3	108226	HANDGRIP: 1" BLACK	2

FOLDING NOSE EXT'N OPTION

ITEM	PART NO.	DESCRIPTION	QTY.
	210249	FNG-24K, FOLDING NOSE EXT'N	1
	050045	PIVOT ROD (FN-24)	1
	108232	RETAINING HOOK (FN-24)	1

GREENLINE STANDARD DUTY STEEL HANDTRUCKS 636 Greenline Series

- Dual handle curved back design.
- Welded frame construction.
- 1" OD x 14ga wall tubular frame
- Economically priced.
- Green enamel finish.
- Zinc plated auto-loc axles assure smooth wheel rotation.
- 8" or 10" wheel on all frames
- 7" deep x 14" wide 7ga noseplate w/ radiused corners.

P/N 210363

Model 636-Z2
 Weight 31.5 lbs
 Capacity 600 lbs
 Box NO
 Wheel 10" x 2.75"
 Type Solid Rubber
 Hub Poly Offset

THIS DRAWING IN ALL PARTICULARS IS WESCO MFG. CO. PROPERTY. ALL RIGHTS OF DESIGN, INVENTION OR USE OF ARE RESERVED.

PRINT ISSUED

JUN 25 2007

WESCO MANUFACTURING
ENGINEERING DEPARTMENT

R W S APP
 01-24-13
 UPDATED
 C

REVISIONS		EON & DATE		REV.	
WESCO MANUFACTURING CO.					
		NORTH WALES		PENNA. 19454	
PART NAME				DRAWN: SKH 10-14-96	
636-Z2				CHECKED: RS 10-14-96	
TOLERANCE UNLESS OTHERWISE SPECIFIED				APP. ENGR.	
FRACTION		3 PLACE DECIMAL		SCALE: 1/8"=1"	
± 1/64		± .005		± .01	
ANGULAR ± 1-1/2'		SHEET 1 OF 1		B- 210363	
BREAK ALL SHARP EDGES AND REMOVE ALL BURRS					

REV

C