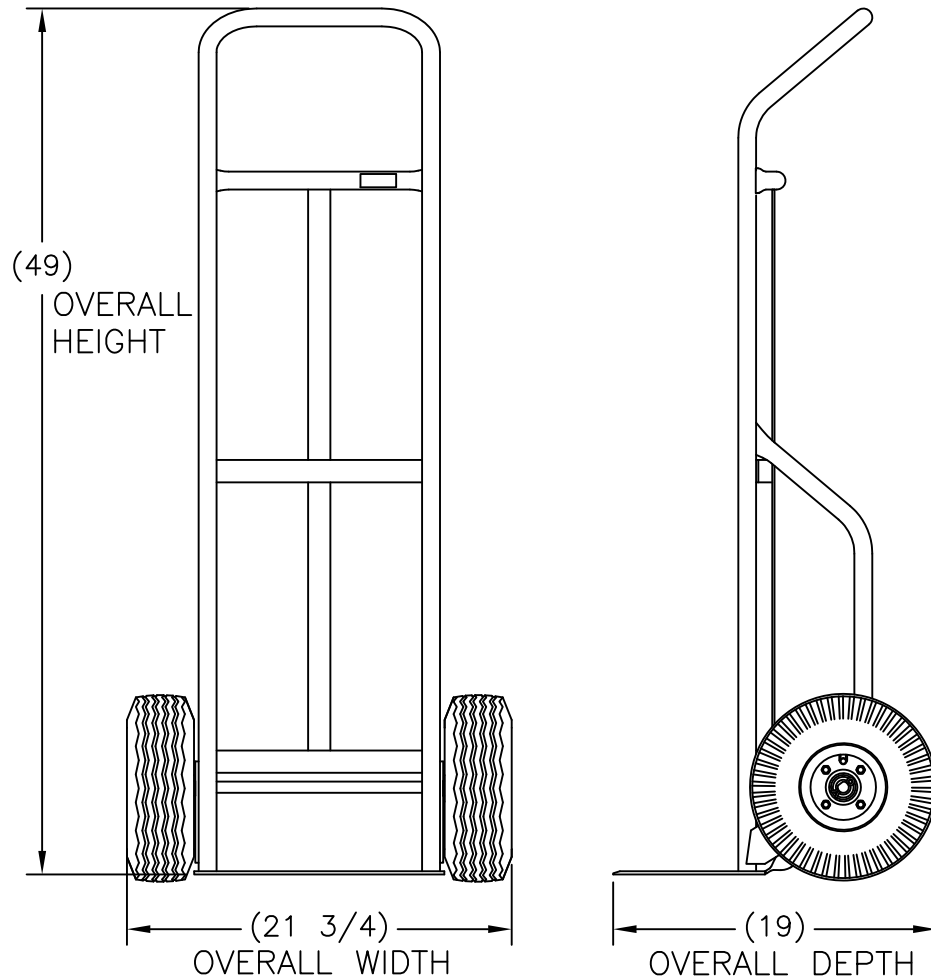


210360



REPLACEMENT PARTS LIST

ITEM	PART NO.	DESCRIPTION	QTY.
1	151551	WHEEL "PE" (10 ϕ X 3-1/2")	2
2	053900	AXLE "D" (19-1/2")	1

FOLDING NOSE EXT'N OPTION

ITEM	PART NO.	DESCRIPTION	QTY.
	210249	FNG-24K, FOLDING NOSE EXT'N	1
	050045	PIVOT ROD (FN-24)	1
	108232	RETAINING HOOK (FN-24)	1

GREENLINE STANDARD DUTY STEEL HANDTRUCKS 656 Greenline Series

- Continuous handle w/curved back design.
- Welded frame construction.
- 1" OD x 14ga wall tubular frame
- Economically priced.
- Green enamel finish.
- Zinc plated auto-loc axles assure smooth wheel rotation.
- 8" or 10" wheel on all frames
- 7" deep x 14" wide 7ga noseplate w/ radiused corners.

P/N 210360

Model 656-PE
 Weight 28 lbs
 Capacity 500 lbs
 Box NO
 Wheel 10" x 3.5"
 Type Pneumatic
 Hub Steel Offset

THIS DRAWING IN ALL PARTICULARS IS WESCO MFR. CO. PROPERTY. ALL RIGHTS OF DESIGN, INVENTION OR USE OF ARE RESERVED.

PRINT ISSUED

JUN 27 2007

WESCO MANUFACTURING
ENGINEERING DEPARTMENT

REV.	REV. DESCRIPTION	ENGR.	DATE	APP.	REV. DESCRIPTION	ENGR.	DATE	APP.
A	UPDATED		01-24-13					

WESCO MANUFACTURING CO.		NORTH WALES		PENNA. 19454	
PART NAME			DRAWN: KL 03-09-06		
656-PE			CHECKED:		
TOLERANCE UNLESS OTHERWISE SPECIFIED			APP. ENGR.		
FRACTION		3 PLACE DECIMAL		2 PLACE DECIMAL	
± 1/84		± .005		± .01	
ANGULAR ± 1-1/2"		SHEET 1 OF 1		SCALE: 7" = 1"	
BREAK ALL SHARP EDGES AND REMOVE ALL BURRS					
B- 210360			REV	A	