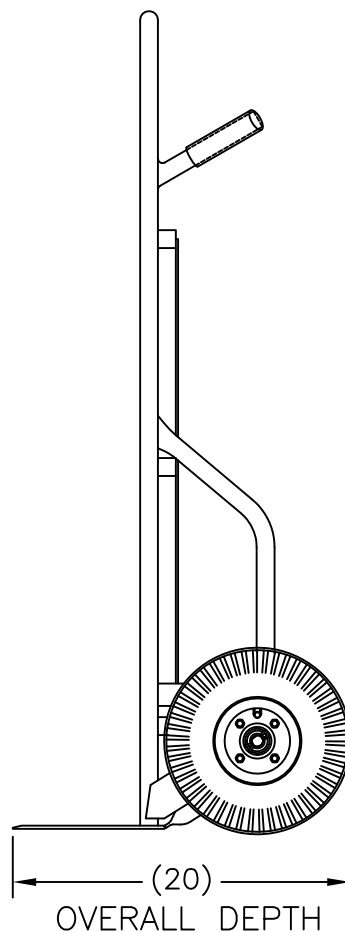
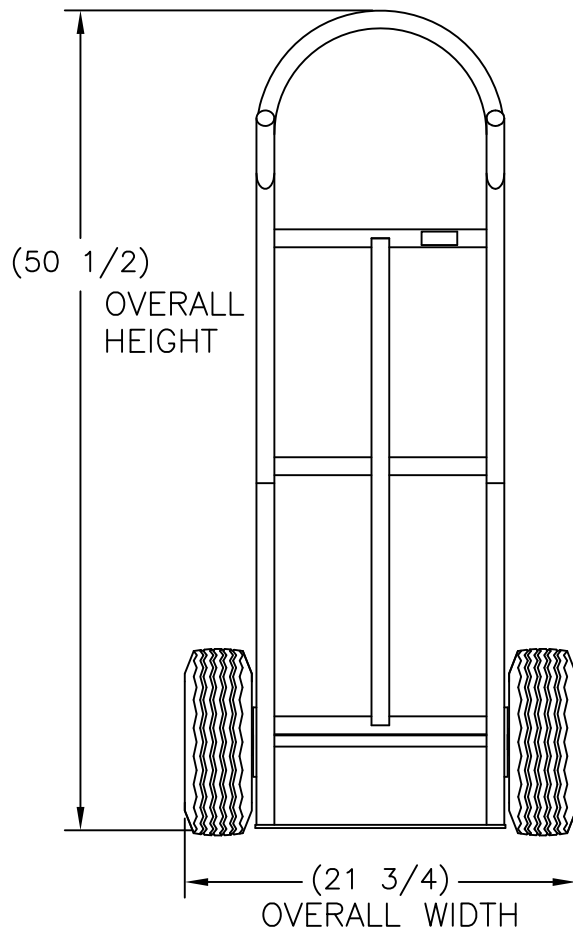


210359



## REPLACEMENT PARTS LIST

ITEM	PART NO.	DESCRIPTION	QTY.
1	151551	WHEEL "PE" (10 $\phi$ X 3-1/2")	2
2	053900	AXLE "D" (19-1/2")	1
3	108226	HANDGRIP: 1" BLACK	2

## FOLDING NOSE EXT'N OPTION

ITEM	PART NO.	DESCRIPTION	QTY.
	210249	FNG-24K, FOLDING NOSE EXT'N	1
	050045	PIVOT ROD (FN-24)	1
	108232	RETAINING HOOK (FN-24)	1

**GREENLINE STANDARD DUTY STEEL HANDTRUCKS  
646 Greenline Series**

- Dual pin handle w/curved back design.
- Welded frame construction.
- 1" OD x 14ga wall tubular frame
- Economically priced.
- Green enamel finish.
- Zinc plated auto-loc axles assure smooth wheel rotation.
- 8" or 10" wheel on all frames
- 7" deep x 14" wide 7ga noseplate w/ radiused corners.

**P/N 210359**

Model 646-PE  
 Weight 27.5 lbs  
 Capacity 600 lbs  
 Box NO  
 Wheel 10" x 3.5"  
 Type Pneumatic  
 Hub Steel Offset

THIS DRAWING IN ALL PARTICULARS IS WESCO MFG. CO. PROPERTY. ALL RIGHTS OF DESIGN, INVENTION OR USE OF ARE RESERVED.

PRINT ISSUED

JUN 25 2007

 WESCO MANUFACTURING  
 ENGINEERING DEPARTMENT

REV.	ENGR.	DATE	APP.	REVISIONS	WESCO MANUFACTURING CO. NORTH WALES PENNA. 19454	
A		01-24-13		UPDATED	PART NAME	646-PE
					DRAWN:	KL 03-02-06
					CHECKED:	
					APP. ENGR.	
					TOLERANCE UNLESS OTHERWISE SPECIFIED	SCALE: 7"=1"
					FRACTION 3 PLACE DECIMAL 2 PLACE DECIMAL	
					$\pm 1/64$ $\pm .005$ $\pm .01$	
					ANGULAR $\pm 1-1/2'$	SHEET 1 OF 1
					BREAK ALL SHARP EDGES AND REMOVE ALL BURRS	
					B-	210359 REV A