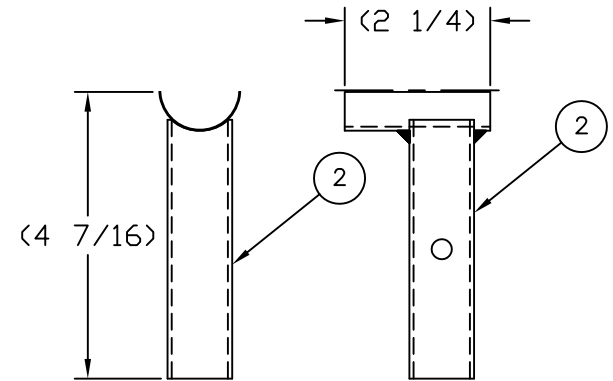
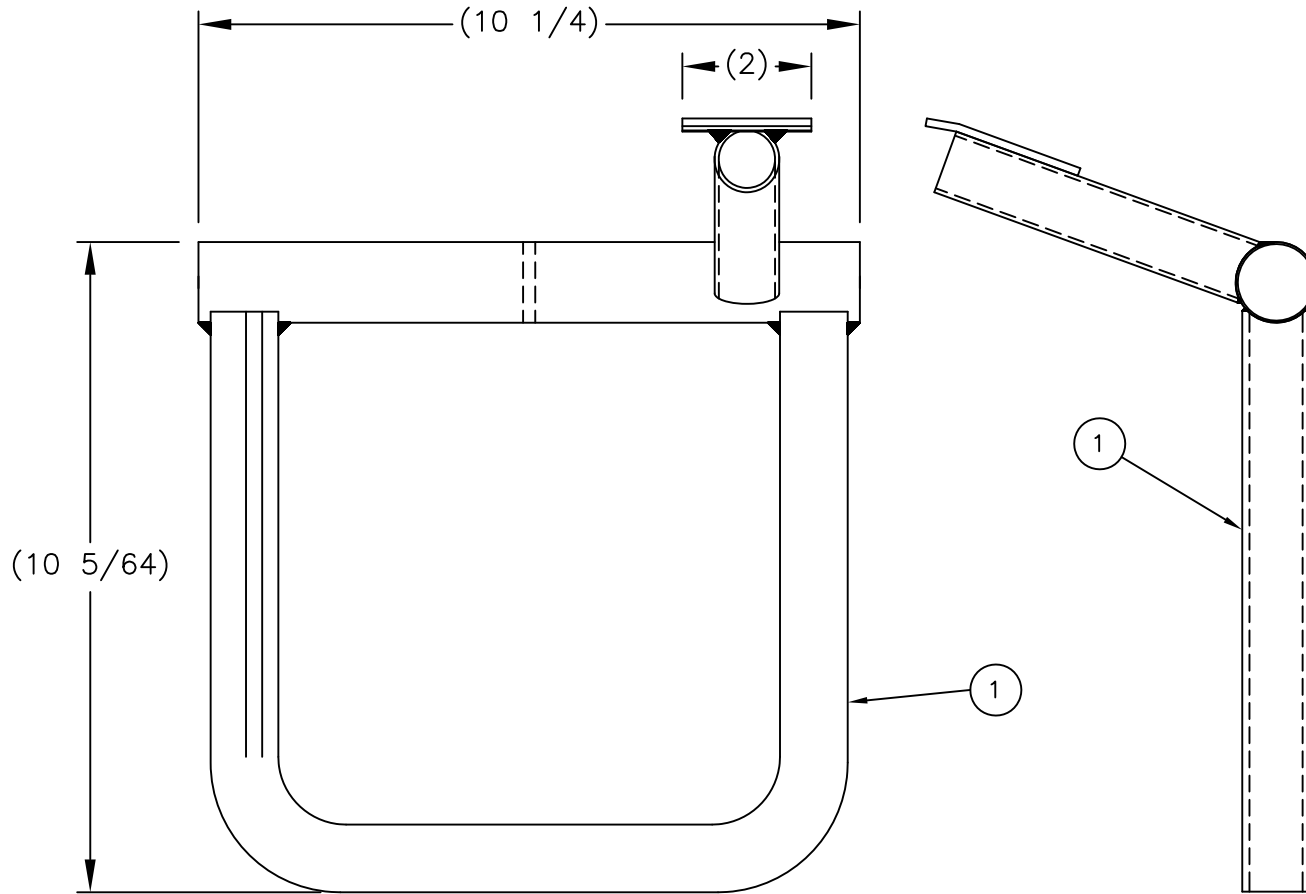


REPLACEMENT PARTS LIST

ITEM	PART NO.	DESCRIPTION	QTY.
1	053882	WELDMENT: PUSH OFF NOSE	1
2	053881	WELDMENT: PIVOT SUPPORT	2
3	150030	CLAMP: BAND, PUSH OFF	2
4	108570	PIN: ROLL(SPRING)(PLTD) 3/16 DIA X 1-1/2"	1
1	053885	SPRING: EXTENSION, PUSH OFF	1
2	053884	PIN: SPRING, 5/16" X 1"	1
3	053883	RETAINER: TUBE, SPRING	1
4	159407	SHEET INSTRUCTION, PUSH OFF	1



THIS DRAWING IN ALL PARTICULARS IS WESCO MFG. CO. PROPERTY. ALL RIGHTS OF DESIGN, INVENTION OR USE OF ARE RESERVED.

WESCO MANUFACTURING CO.
NORTH WALES PENNA. 19454

PART NAME		DRAWN:	
CARGO PUSH-OFF KIT		CHECKED:	
TOLERANCE UNLESS OTHERWISE SPECIFIED			
FRACTION	3 PLACE DECIMAL	2 PLACE DECIMAL	
± 1/64	± .005	± .01	
ANGULAR ± 1-1/2°	SHEET 1 OF 1		SCALE:
BREAK ALL SHARP EDGES AND REMOVE ALL BURRS			B- 210079

APP	REV	A
ECH & DATE	REV	A
REVISIONS	REV	A