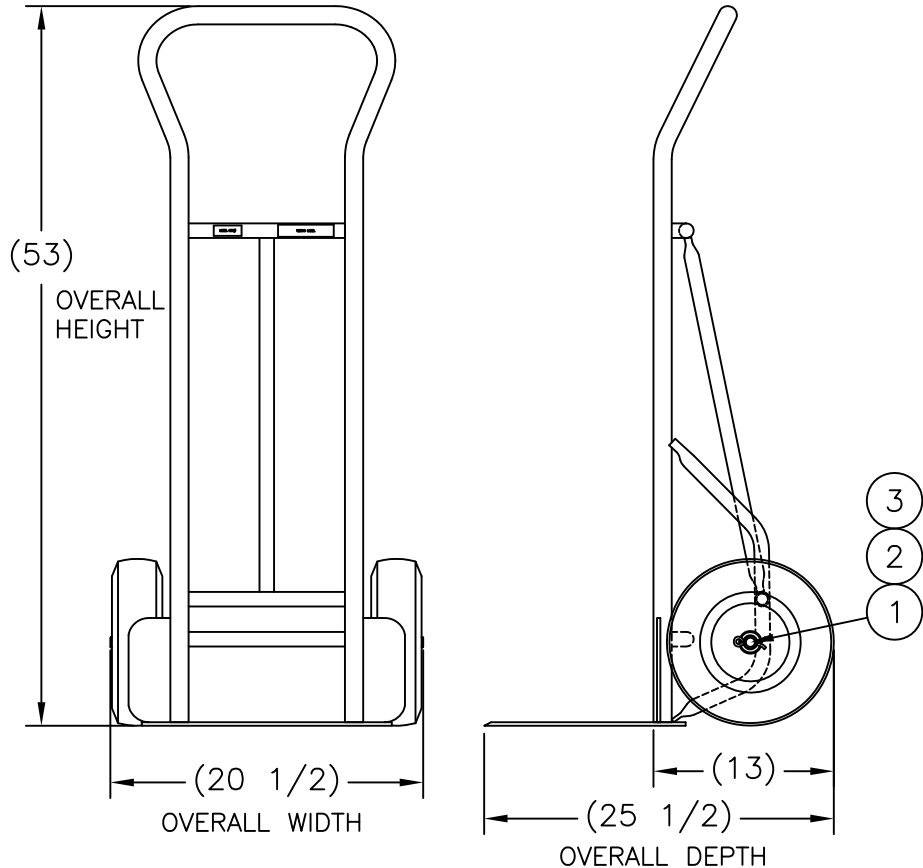


210066



REPLACEMENT PARTS LIST			
ITEM	PART NO.	DESCRIPTION	QTY.
1	108484	WHEEL: "P12" 12 X 4	2
2	108204	WASHER: FLAT (PLTD) 3/4 SAE	4
3	108218	PIN: COTTER 3/16 X 1-1/2"	2

P/N 210066

Model #: ST2-P12
 Weight: 61 lbs
 Wheel: 12"
 Capacity: 800 lbs
 Bag: Yes
 Wheel Size: 12" x 4"
 Wheel Type: Pneumatic
 Wheel Hub: Steel Offset

HEAVY DUTY SHOVEL NOSE TRUCKS

- 5 year weld guarantee.
- 13" deep x 17.5" x .25" thick tapered nose plate.
- 1" heavy duty sch-40 pipe frame.
- Easy grip continuous handle frame design.
- 3/4" axle.
- 8" x 2" cast iron moldon rubber or 12" pneumatic wheels.
- Wheel guards.

THIS DRAWING IN ALL PARTICULARS IS WESCO INDUSTRIAL PRODUCTS INC. PROPERTY. ALL RIGHTS OF DESIGN, INVENTION OR USE OF ARE RESERVED.

PRINT ISSUED

JULY 09 2007

WESCO MANUFACTURING
ENGINEERING DEPARTMENT

R	W	S	APP
01-28-13	UPDATED		
A			

WESCO INDUSTRIAL PRODUCTS INC. NORTH WALES PENNA. 19454		DRAWN: KL 04-21-05
		CHECKED: PS 04-27-05
PART NAME		APP. ENGR.
ST2-P12		SCALE: 1" = 9"
TOLERANCE UNLESS OTHERWISE SPECIFIED		
FRACTION	3 PLACE DECIMAL	2 PLACE DECIMAL
± 1/64	± .005	± .01
ANGULAR ± 1-1/2'	SHEET 1	OF 1
BREAK ALL SHARP EDGES AND REMOVE ALL BURRS		
B- 210066	REV	A