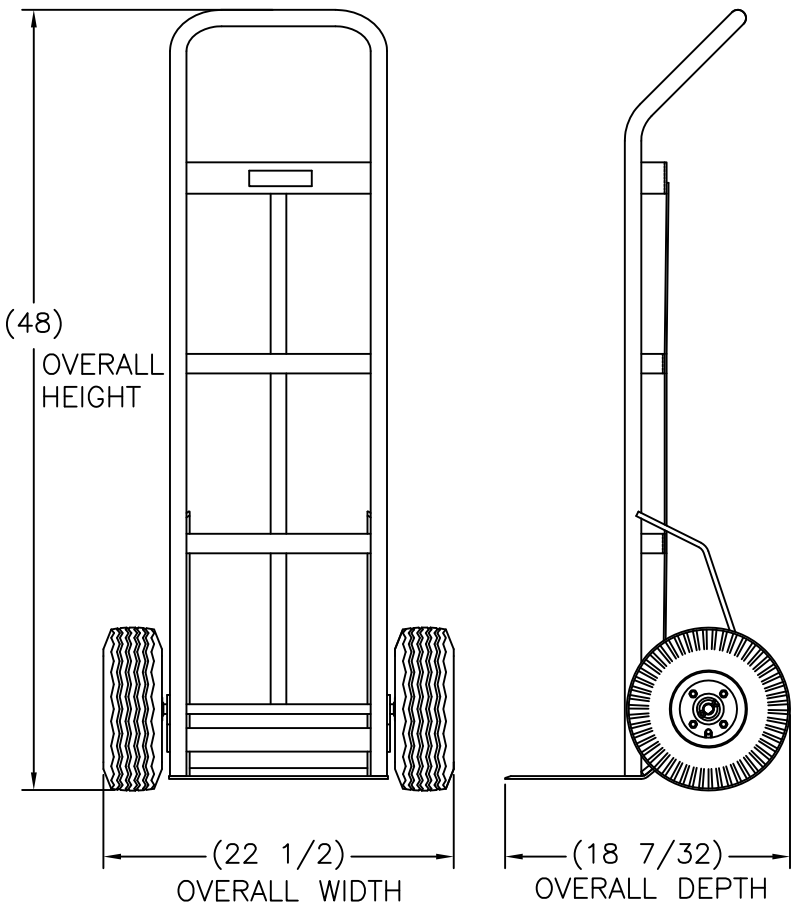


210047

REPLACEMENT PARTS LIST

ITEM	PART NO.	DESCRIPTION	QTY.
1	050602	WHEEL: P, 10 X 3-1/2	2
2	210099	24 FLD. NOSE W/HRDWARE	1
3	050045	PIVOT ROD (FN-24)	1
4	108232	RETAINING HOOK (FN-24)	1
5	050052	AXLE, "D", 19-7/8"	1



100 SERIES INDUSTRIAL HAND TRUCKS

- A 5 year guarantee against weld failure. A Wesco quality exclusive.
- Industrial strength heavy duty schedule 40 pipe frame construction.
- Ribbed cross braces for extra strength.
- All joints double welded.
- 8" deep x 14" wide nose is 7 gauge thick plate with machined beveled edge and radiused corners for safety.
- Zinc plated Auto-Loc axles assure smooth wheel rotation.
- All frame handle 8" or 10" wheels.
- Orange enamel finish.
- Vinyl handle grips are standard on appropriate frames.

SERIES 156

- Swept back continuous handle with curved back design.
- Very popular frame that allows one or two hand control.
- Four horizontal cross straps and vertical center strap provide support for small packages.

P/N 210047  
 Model: 156-P  
 Capacity: 700 lbs  
 Weight: 36 lbs  
 Boxed: No  
 Hub: Steel Offset  
 Dimensions: 10" x 3.5"  
 Wheel Type: Pneumatic

PRINT ISSUED

DEC 29, 2006

WESCO MANUFACTURING  
 ENGINEERING DEPARTMENT

R	W	S	APP
01-17-13			
UPDATED			
B			

<b>WESCO MANUFACTURING CO.</b>		
NORTH WALES		PENNA. 19454
PART NAME		DRAWN: LDU 7-10-00
<b>156-P</b>		CHECKED:
TOLERANCE UNLESS OTHERWISE SPECIFIED		APP. ENGR.
FRACTION	3 PLACE DECIMAL	2 PLACE DECIMAL
± 1/64	± .005	± .01
ANGULAR ± 1-1/2'	SHEET 1 OF 1	SCALE: 1:8
BREAK ALL SHARP EDGES AND REMOVE ALL BURRS		<b>B- 210047</b> REV B