

210045

REPLACEMENT PARTS LIST

ITEM	PART NO.	DESCRIPTION	QTY.
1	150697	WHEEL: "Z8" 8 X 2	2
2	210099	24 FLD. NOSE W/HRDWARE	1
3	050045	PIVOT ROD (FN-24)	1
4	108232	RETAINING HOOK (FN-24)	1
5	050052	AXLE: "D" 19-7/8"	1

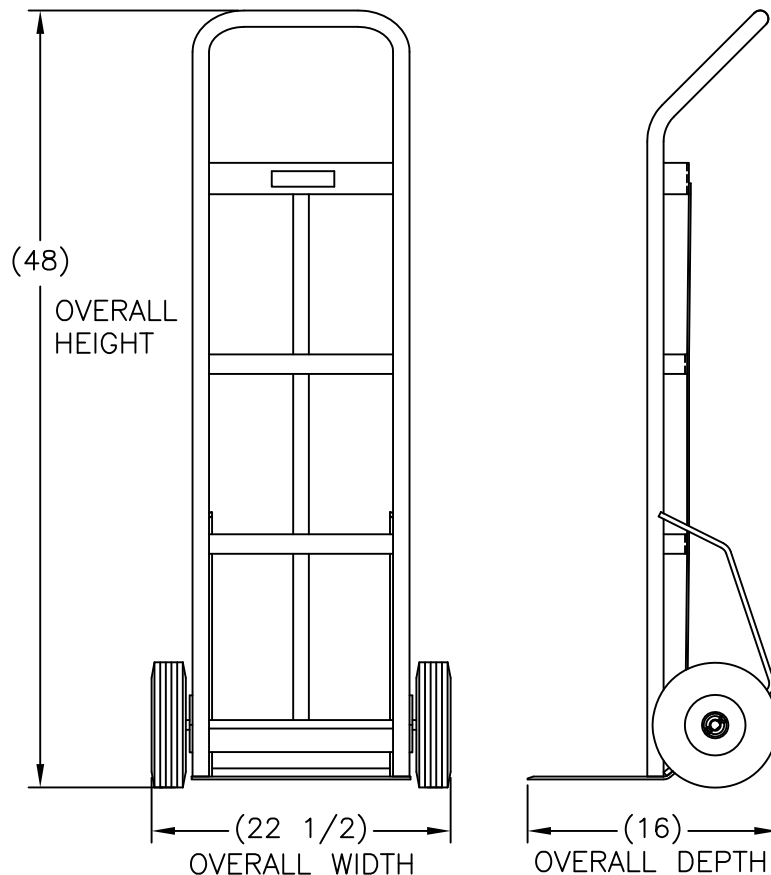
100 SERIES INDUSTRIAL
HAND TRUCKS

- A 5 year guarantee against weld failure. A Wesco quality exclusive.
- Industrial strength heavy duty schedule 40 pipe frame construction.
- Ribbed cross braces for extra strength.
- All joints double welded.
- 8" deep x 14" wide nose is 7 gauge thick plate with machined beveled edge and radiused corners for safety.
- Zinc plated Auto-Loc axles assure smooth wheel rotation.
- All frame handle 8" or 10" wheels.
- Orange enamel finish.
- Vinyl handle grips are standard on appropriate frames.

SERIES 156

- Swept back continuous handle with curved back design.
- Very popular frame that allows one or two hand control.
- Four horizontal cross straps and vertical center strap provide support for small packages.

P/N 210045
 Model: 156-Z8
 Capacity: 600 lbs
 Weight: 37 lbs
 Boxed: No
 Hub: Poly Offset
 Dimensions: 8" x 2"
 Wheel Type: Solid Rubber



PRINT ISSUED

DEC 29, 2006

WESCO MANUFACTURING
ENGINEERING DEPARTMENT

R W S APP

01-17-13

UPDATED

B

APP

ECN & DATE

REV.

REV

REVISIONS

REV

WESCO MANUFACTURING CO.
NORTH WALES PENNA. 19454

PART NAME

156-Z8

DRAWN: LDU 8-3-00

CHECKED:

APP. ENGR.

TOLERANCE UNLESS OTHERWISE SPECIFIED

FRACTION	3 PLACE DECIMAL	2 PLACE DECIMAL
± 1/64	± .005	± .01

ANGULAR ± 1-1/2'	SHEET	1	OF	1
BREAK ALL SHARP EDGES AND REMOVE ALL BURRS				

SCALE: 8" = 1"

B- 210045

REV

B