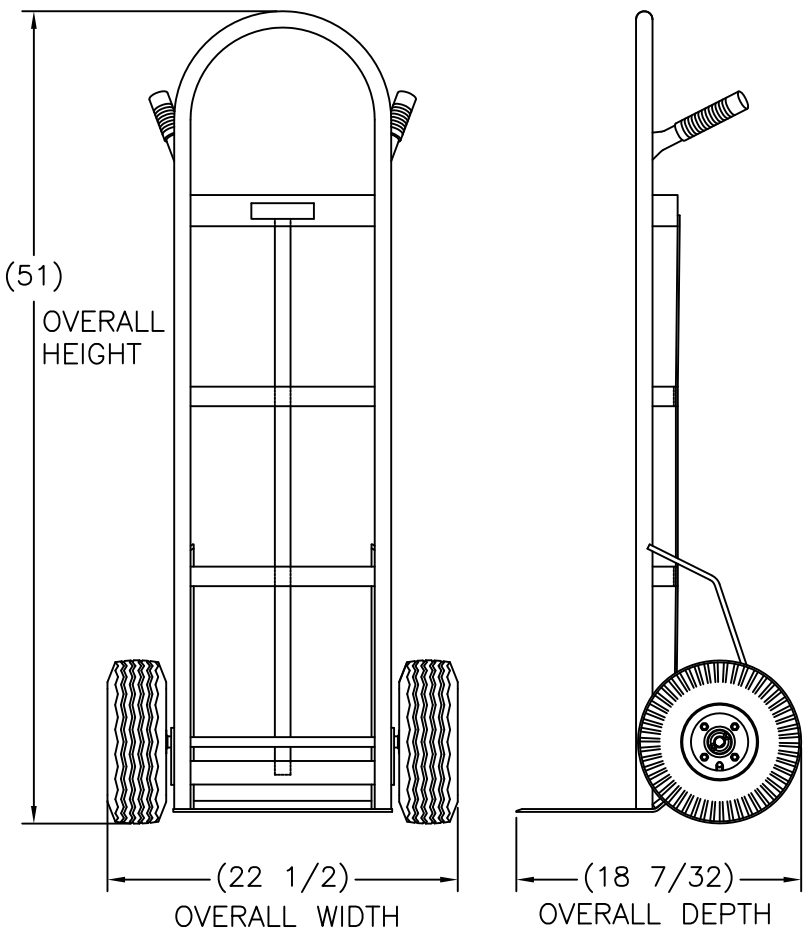


210035

REPLACEMENT PARTS LIST



100 SERIES INDUSTRIAL HAND TRUCKS

ITEM	PART NO.	DESCRIPTION	QTY.
1	050602	WHEEL: P, 10 X 3-1/2	2
2	210099	24 FLD. NOSE W/HRDWARE	1
3	050045	PIVOT ROD (FN-24)	1
4	108232	RETAINING HOOK (FN-24)	1
5	108226	1 PLASTIC GRIP (BLACK)	2
6	050052	AXLE, "D", 19-7/8"	1

- A 5 year guarantee against weld failure. A Wesco quality exclusive.
- Industrial strength heavy duty schedule 40 pipe frame construction.
- Ribbed cross braces for extra strength.
- All joints double welded.
- 8" deep x 14" wide nose is 7 gauge thick plate with machined beveled edge and radiused corners for safety.
- Zinc plated Auto-Loc axles assure smooth wheel rotation.
- All frame handle 8" or 10" wheels.
- Orange enamel finish.
- Vinyl handle grips are standard on appropriate frames.

SERIES 146

- Two handle extra high back curved design.
- Ideal for high loads.
- Four horizontal cross straps and vertical center strap provide support for small packages.

P/N 210035
 Model: 146-P
 Capacity: 700 lbs
 Weight: 39 lbs
 Boxed: No
 Hub: Steel Offset
 Dimensions: 10" x 3.5"
 Wheel Type: Pneumatic

PRINT ISSUED
 JAN 09, 2007
 WESCO MANUFACTURING
 ENGINEERING DEPARTMENT

R W S APP	01-17-13 UPDATED	EON & DATE REVISONS	WESCO MANUFACTURING CO. NORTH WALES PENNA. 19454	
			PART NAME 146-P	DRAWN: LDU 7-10-00
B REV.			TOLERANCE UNLESS OTHERWISE SPECIFIED	
			FRACTION 3 PLACE DECIMAL 2 PLACE DECIMAL	CHECKED:
			± 1/64 ± .005 ± .01	APP. ENGR.
			ANGULAR ± 1-1/2' SHEET 1 OF 1	SCALE: 1:8
BREAK ALL SHARP EDGES AND REMOVE ALL BURRS			B- 210035	REV B