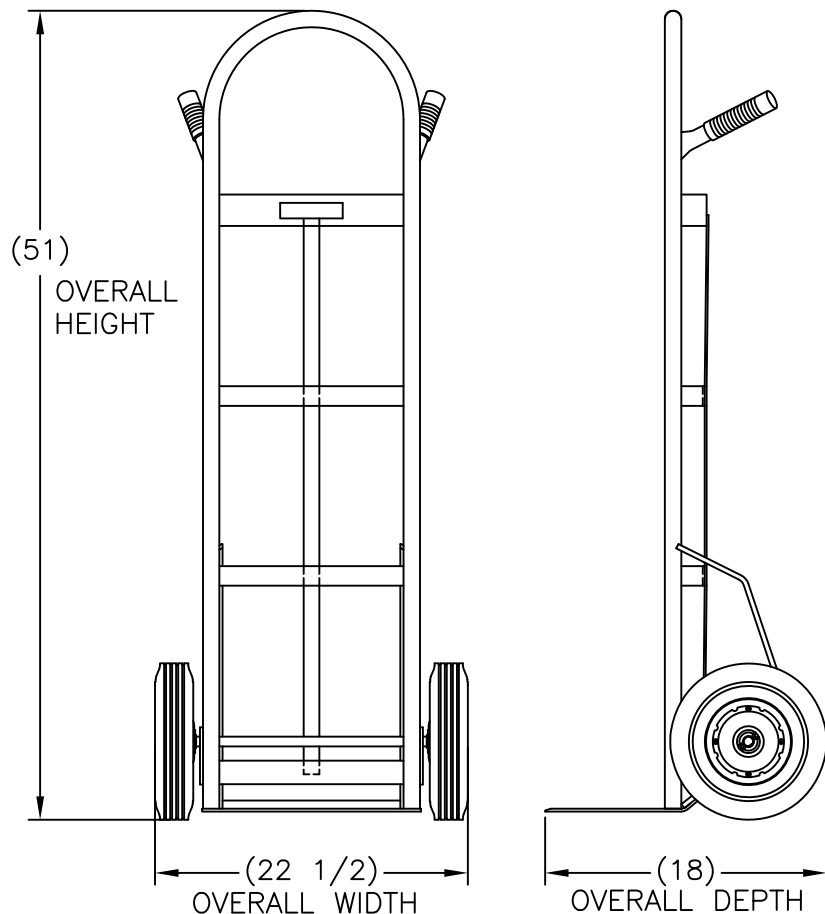


REPLACEMENT PARTS LIST

ITEM	PART NO.	DESCRIPTION	QTY.
1	150589	WHEEL: "Z" 10 X 2-3/4	2
2	050052	AXLE: "D" (19-7/8")	1
3	210099	24 FLD. NOSE W/HRDWARE	1
4	050045	PIVOT ROD (FN-24)	1
5	108232	RETAINING HOOK (FN-24)	1
6	108226	1 PLASTIC GRIP (BLACK)	2



100 SERIES INDUSTRIAL HAND TRUCKS

- A 5 year guarantee against weld failure. A Wesco quality exclusive.
- Industrial strength heavy duty schedule 40 pipe frame construction.
- Ribbed cross braces for extra strength.
- All joints double welded.
- 8" deep x 14" wide nose is 7 gauge thick plate with machined beveled edge and radiused corners for safety.
- Zinc plated Auto-Loc axles assure smooth wheel rotation.
- All frame handle 8" or 10" wheels.
- Orange enamel finish.
- Vinyl handle grips are standard on appropriate frames.

SERIES 146

- Two handle extra high back curved design.
- Ideal for high loads.
- Four horizontal cross straps and vertical center strap provide support for small packages.

P/N 210034
 Model: 146-Z
 Capacity: 700 lbs
 Weight: 42 lbs
 Boxed: No
 Hub: Steel Offset
 Dimensions: 10" x 2.75"
 Wheel Type: Semi-Pneumatic

PRINT ISSUED

jan 09, 2007

WESCO MANUFACTURING
 ENGINEERING DEPARTMENT

R W S APP
 01-17-13
 UPDATED
 C

WESCO MANUFACTURING CO. NORTH WALES PENNA. 19454		PART NAME		DRAWN: LDU 8-3-00	
		146-Z		CHECKED:	
TOLERANCE UNLESS OTHERWISE SPECIFIED		APP. ENGR.		SCALE: 8" = 1"	
FRACTION 3 PLACE DECIMAL 2 PLACE DECIMAL		ANGULAR ± 1-1/2'		SHEET 1 OF 1	
± 1/64 ± .005 ± .01		BREAK ALL SHARP EDGES AND REMOVE ALL BURRS		B- 210034	
				REV	C