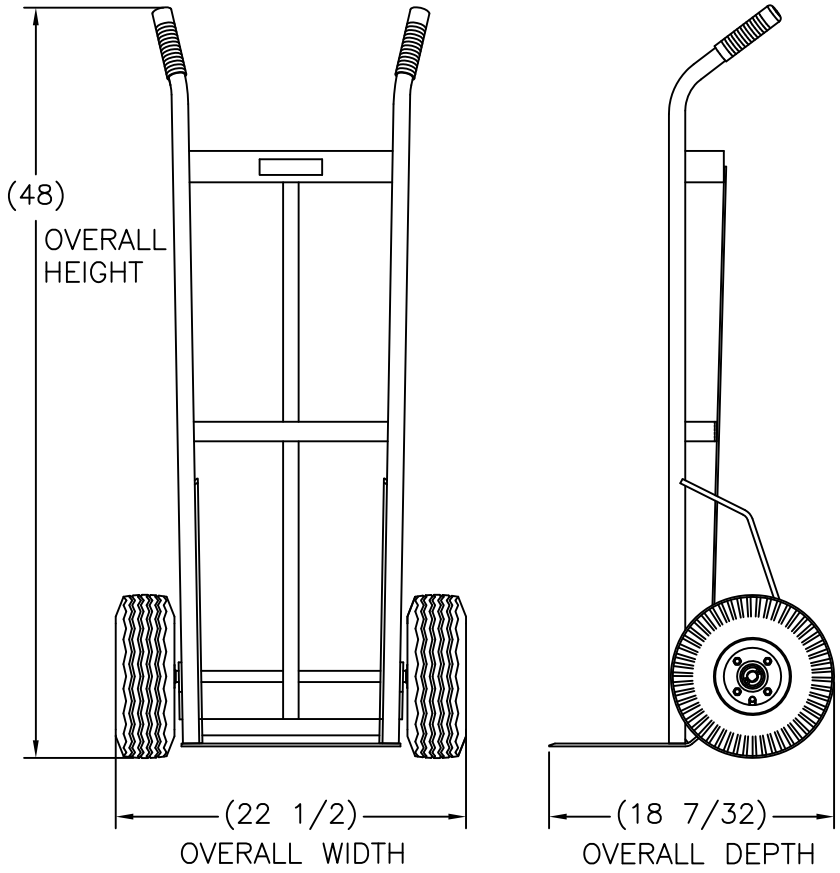


REPLACEMENT PARTS LIST

ITEM	PART NO.	DESCRIPTION	QTY.
1	050602	WHEEL: P, 10 X 3-1/2	2
2	210099	24 FLD. NOSE W/HRDWARE	1
3	050045	PIVOT ROD (FN-24)	1
4	108232	RETAINING HOOK (FN-24)	1
5	108226	1 PLASTIC GRIP (BLACK)	2
6	050052	AXLE, "D", 19-7/8"	1



100 SERIES INDUSTRIAL HAND TRUCKS

- A 5 year guarantee against weld failure. A Wesco quality exclusive.
- Industrial strength heavy duty schedule 40 pipe frame construction.
- Ribbed cross braces for extra strength.
- All joints double welded.
- 8" deep x 14" wide nose is 7 gauge thick plate with machined beveled edge and radiused corners for safety.
- Zinc plated Auto-Loc axles assure smooth wheel rotation.
- All frame handle 8" or 10" wheels.
- Orange enamel finish.
- Vinyl handle grips are standard on appropriate frames.

SERIES 136

- Two handle tapered body design.
- Three heavy duty horizontal cross straps for added strength.
- Full height center strap provides support for small packages.

P/N 210027  
 Model: 136-P  
 Capacity: 700 lbs  
 Weight: 39 lbs  
 Boxed: No  
 Hub: Steel Offset  
 Dimensions: 10" x 3.5"  
 Wheel Type: Pneumatic

PRINT ISSUED  
 JAN 09, 2007  
 WESCO MANUFACTURING  
 ENGINEERING DEPARTMENT

R	W	S	APP	WESCO MANUFACTURING CO. NORTH WALES PENNA. 19454			
01-17-13	UPDATED					PART NAME <b>136-P</b>	DRAWN: LDU 7-10-00
REV. EON & DATE REVISIONS				TOLERANCE UNLESS OTHERWISE SPECIFIED			
				FRACTION	3 PLACE DECIMAL	2 PLACE DECIMAL	CHECKED:
REV. B				± 1/64	± .005	± .01	APP. ENGR.
				ANGULAR ± 1-1/2"	SHEET 1 OF 1		SCALE: 1:8
				BREAK ALL SHARP EDGES AND REMOVE ALL BURRS			
				B- 210027			
				REV	B		