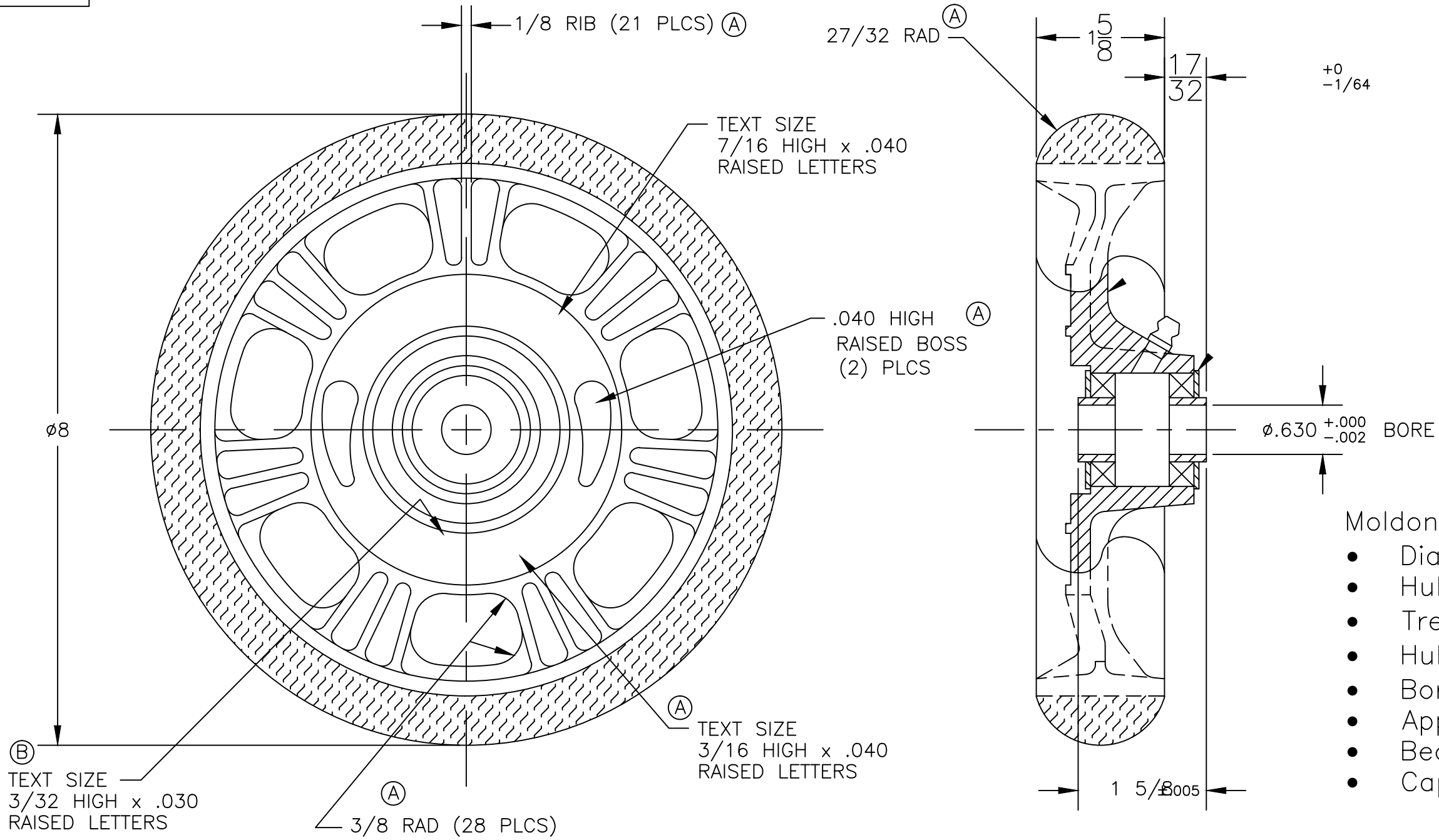


108561



+0
-1/64

BORE
0.630 +.000
-.002

- Moldon Rubber Wheel
- Diameter: 8"
 - Hub Type: Spoke Aluminum
 - Tread Width: 1.625"
 - Hub length: 1.625"
 - Bore Id: .625"
 - Approx Weight: 2.5 lbs
 - Bearing type: Ball
 - Capacity: 300 lbs

THIS DRAWING IN ALL PARTICULARS IS WESCO INDUSTRIAL PRODUCTS INC. PROPERTY. ALL RIGHTS OF DESIGN, INVENTION OR USE OF ARE RESERVED.

PRINT ISSUED
JAN. 14, 2000
WESCO MANUFACTURING
ENGINEERING DEPARTMENT

R D S	R D S	LE G K	APP
4166 01-14-00	3875 6-10-98	147-95 2-14-95	
ADDED PATENT NUMBER 417,179	"WESCO IND. PROD." WAS "WESCO MANUF."	RELEASED	
	3/8 RAD WAS 1/8 21 PLCS WAS 14		
	ADDED BOSS (2) ADDED "PATENT PENDING" ADDED 27/32 RAD		
B	A	/	REV.

WESCO INDUSTRIAL PRODUCTS INC.	
LANSDALE	PENNA. 19446
PART NAME R-3 (MOR/AC) WHEEL	
DRAWN: GRB 1-24-95	
CHECKED: EGK 2-10-95	
APP. ENGR.	
SCALE: 3/4"=1"	
TOLERANCE UNLESS OTHERWISE SPECIFIED	
FRACTION	3 PLACE DECIMAL 2 PLACE DECIMAL
± 1/64	± .005 ± .01
ANGULAR ± 1-1/2'	SHEET 1 OF 1
BREAK ALL SHARP EDGES AND REMOVE ALL BURRS	
B- 108561	REV B