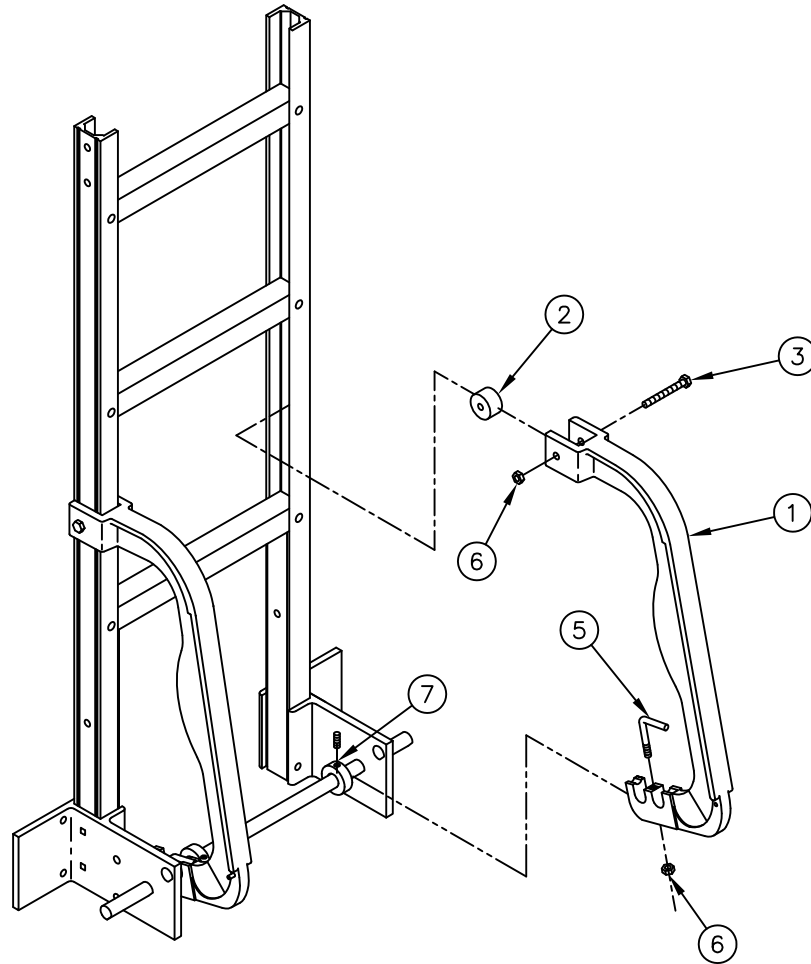


054213



REPLACEMENT PARTS LIST

ITEM	PART NO.	DESCRIPTION	QTY.
1	120944	STAIRCLIMBER	2
2	050168	SPACER	2
3	108191	BOLT: CARR. 1/4-20 X 2"	2
4		-NOT USED-	
(C) 5	050228	BOLT: 1/4-20 X 2"	2
(B) 6	108929	1/4-20 HEX LOCKNUT	4
7	150960	5/8 SHAFT COLLAR	2

STAIRGLIDE FOR COBRA-LITE

- Cast aluminum stair glide
- Factory installed.
- Stair glides with wearstrips.

P/N **054213**

Model **S3F**
Weight **7 lbs**

THIS DRAWING IN ALL PARTICULARS IS WESCO MFRG. CO. PROPERTY. ALL RIGHTS OF DESIGN, INVENTION OR USE OF ARE RESERVED.

PRINT ISSUED

APR 04, 2005

WESCO MANUFACTURING
ENGINEERING DEPARTMENT

REV.	EDN & DATE	REVISIONS	APP
C	02-26-13	NOTES UPDATED	RWS
C	5392 04-04-05	5392 04-04-05 WAS 108887	KL
B	5087 06-12-03	5087 06-12-03 WAS 100649	BF
A	4199 4-7-00	4199 4-7-00 UPDATED DOCUMENTATION	KL
/	173-95 8-7-95	173-95 8-7-95 RELEASED	DAS

WESCO MANUFACTURING CO.		NORTH WALES PENNA. 19454	
PART NAME		DRAWN: DAS 8-4-95	
SGL (STAIRGLIDE) (MIGHTY-LITE)		CHECKED: PS 8-7-95	
TOLERANCE UNLESS OTHERWISE SPECIFIED			
FRACTION		3 PLACE DECIMAL 2 PLACE DECIMAL	
± 1/64		± .005 ± .01	
ANGULAR ± 1-1/2'		SHEET 1 OF 1	
BREAK ALL SHARP EDGES AND REMOVE ALL BURRS			
SCALE: 6" = 1"		APP. ENGR.	
B- 054213		REV C	