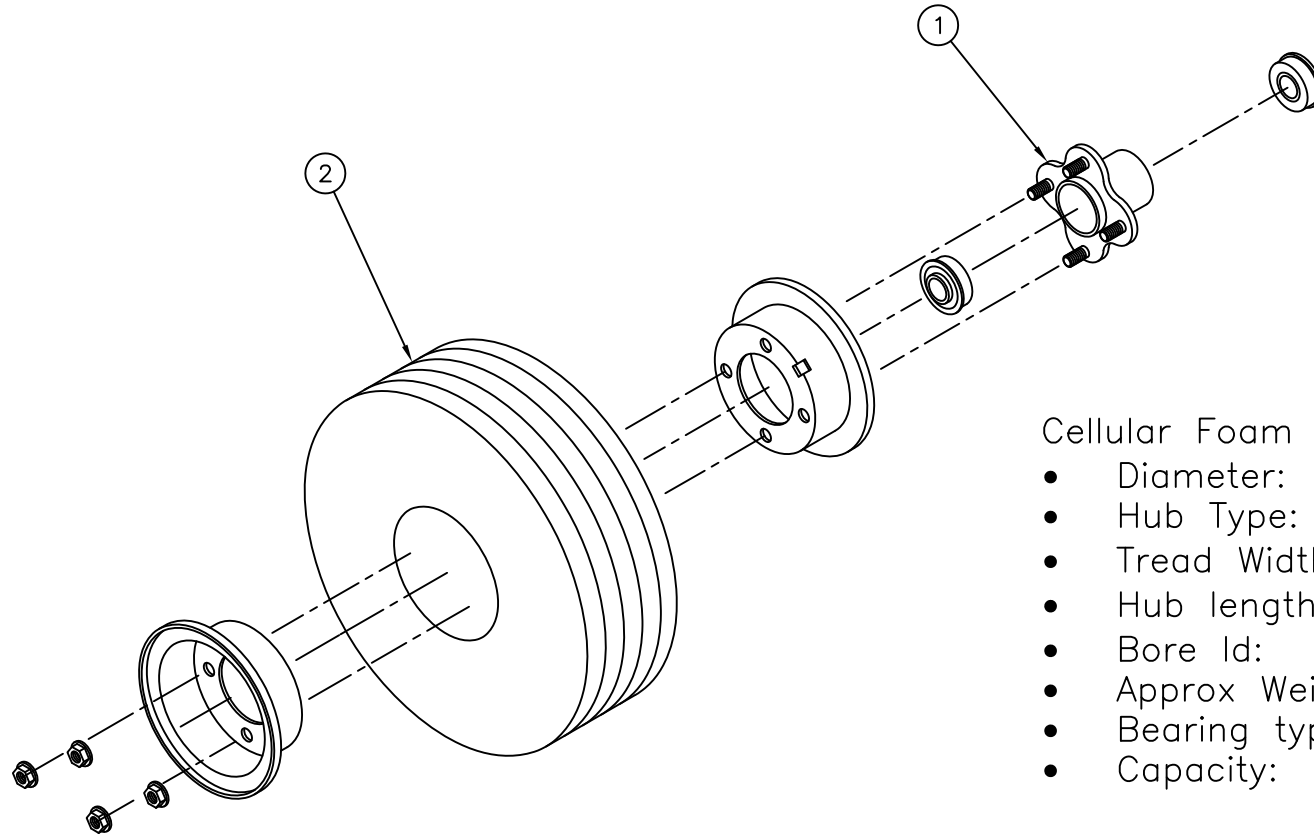


REPLACEMENT PARTS LIST

ITEM	PART NO.	DESCRIPTION	QTY.
1	108562	CAREFREE TIRE, 10" DIA	1



Cellular Foam Wheel

- Diameter: 10"
- Hub Type: Steel
- Tread Width: 3"
- Hub length: 2.25"
- Bore Id: .625"
- Approx Weight: 5 lbs
- Bearing type: Ball
- Capacity: 280 lbs

THIS DRAWING IN ALL PARTICULARS IS WESCO INDUSTRIAL PRODUCTS INC. PROPERTY. ALL RIGHTS OF DESIGN, INVENTION OR USE OF ARE RESERVED.

PRINT ISSUED
 JUNE 28 1999
 WESCO MANUFACTURING
 ENGINEERING DEPARTMENT

LDJ	APP
6-28-99	
4079	
A	

WESCO INDUSTRIAL PRODUCTS INC. NORTH WALES PENNA. 19454	
PART NAME WHEEL ASSY: CAREFREE TIRE	DRAWN: LDU 6-28-99 CHECKED: APP. ENGR.
TOLERANCE UNLESS OTHERWISE SPECIFIED	
FRACTION 3 PLACE DECIMAL 2 PLACE DECIMAL ± 1/64 ± .005 ± .01	SCALE: 1:3
ANGLUAR ± 1-1/2° SHEET 1 OF 1 BREAK ALL SHARP EDGES AND REMOVE ALL BURRS	C-053446 REV A