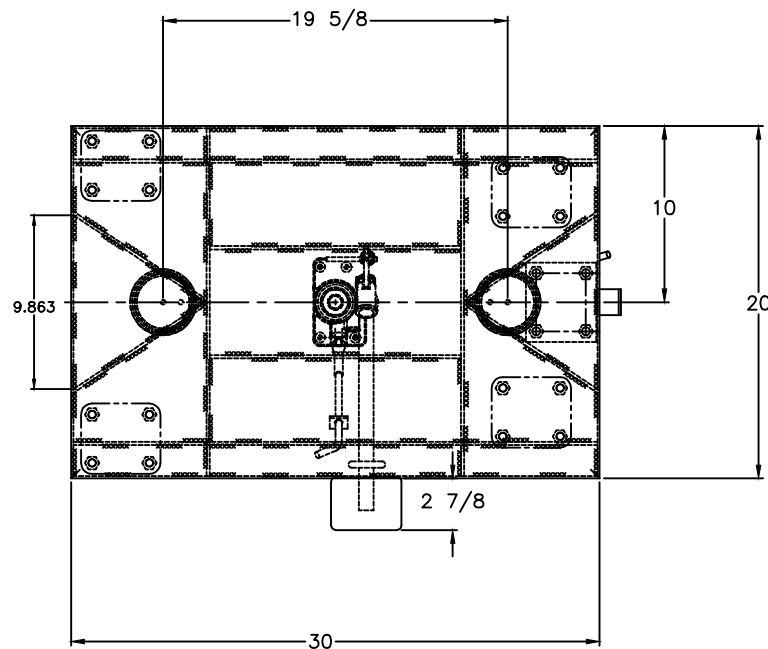
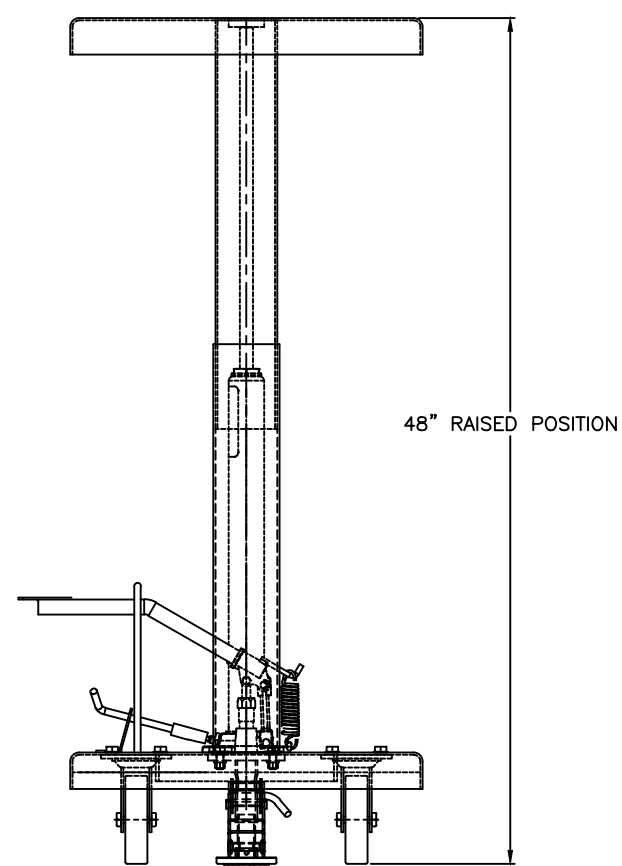
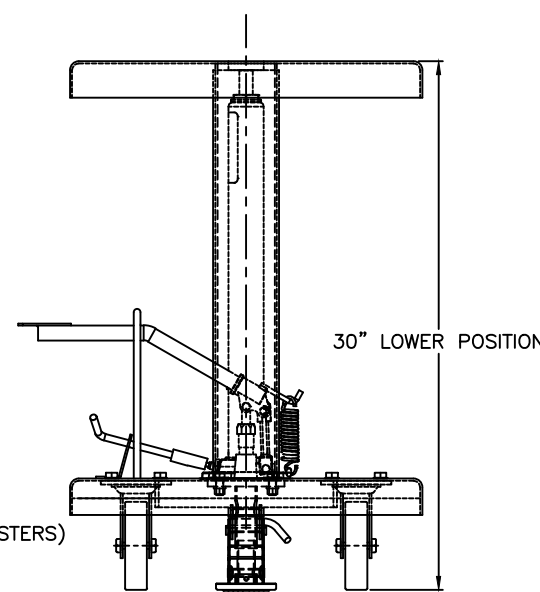
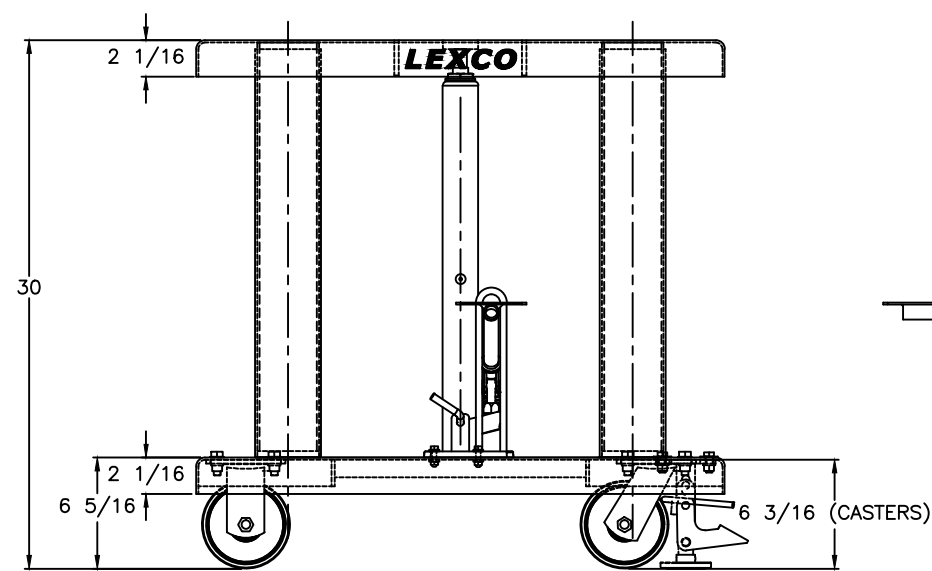


496037



Foot Operated Hydraulic Lift Table

- Top and base 12 gauge steel.
- 2 rigid and 2 swivel 5" diameter rubber casters.
- Floor lock.
- Optional phenolic resin, polyurethane and steel caster wheels.
- Precision telescoping guide tubes.



Specs

- Capacity: 500 lbs
- Table size: 20" x 30"
- Lowred height: 30"
- Raised height: 48"
- Casters size: 5"
- Lift: 18"
- Weight: 142 lbs

THIS DRAWING IN ALL PARTICULARS IS WESCO INDUSTRIAL PRODUCTS INC. PROPERTY. ALL RIGHTS OF DESIGN, INVENTION OR USE OF ARE RESERVED.

REV.	ECN & DATE	APP	WESCO INDUSTRIAL PRODUCTS INC.		REV	
			LANSDALE PENNA. 19446			
			PART NAME			DRAWN:
			HT-500-FR			CHECKED:
			TOLERANCE UNLESS OTHERWISE SPECIFIED			APP. ENGR.
FRACTION 3 PLACE DECIMAL 2 PLACE DECIMAL		SCALE:				
± 1/64 ± .005 ± .01		B- 496037				
ANGULAR ± 1-1/2" SHEET 1 OF 1						
BREAK ALL SHARP EDGES AND REMOVE ALL BURRS						