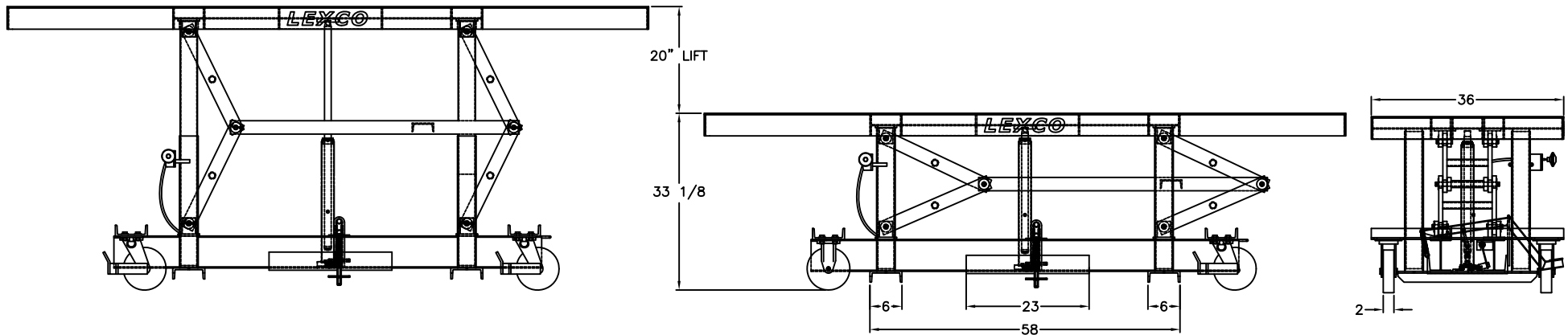
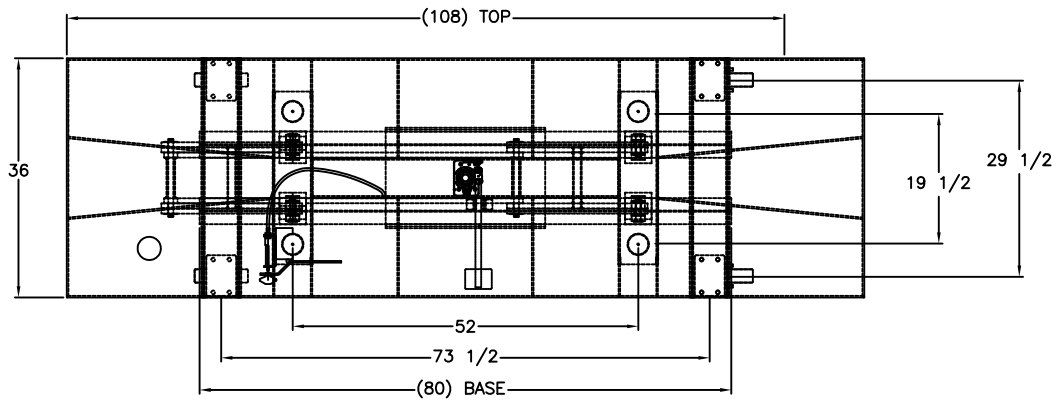


Foot and Powered Portable Hydraulic Lift Table

- AC and DC power option available.
- Load stabilizer assembly on 5000 lbs models.
- 2 rigid and 2 swivel with brake 8" steel casters.
- Precision telescoping guide tubes.
- 2 floor locks.
- Table top 3000 lbs models: 0.25" thick steel.
- Table top 5000 lbs models: 0.25" thick steel.

Specs

| | |
|-----------------|------------|
| Capacity: | 5000 lbs |
| Table Size: | 36" x 120" |
| Raised Height: | 53.125" |
| Lowered Height: | 33.125" |
| Caster: | 8" |
| Lift: | 20" |
| Weight: | 1486 lbs |



THIS DRAWING IN ALL PARTICULARS IS WESCO INDUSTRIAL PRODUCTS, LLC PROPERTY. ALL RIGHTS OF DESIGN, INVENTION OR USE OF ARE RESERVED.

PRINT ISSUED

JUNE 11, 2020

WESCO MANUFACTURING
ENGINEERING DEPARTMENT

| | | |
|--|--------------------------------|--------------|
| APP | WESCO INDUSTRIAL PRODUCTS, LLC | |
| | NORTH WALES | PENNA. 19454 |
| ECN & DATE | PART NAME | |
| | STN-3610-5F | |
| | DRAWN: | |
| | CHECKED: | |
| REVISIONS | APP. ENGR. | |
| | SCALE: | |
| | C-492257 | |
| | REV. | REV |
| TOLERANCE UNLESS OTHERWISE SPECIFIED | | |
| FRACTION 3 PLACE DECIMAL 2 PLACE DECIMAL | | |
| ± 1/64 ± .005 ± .01 | | |
| ANGULAR ± 1-1/2° SHEET 1 OF 1 | | |
| BREAK ALL SHARP EDGES AND REMOVE ALL BURRS | | |