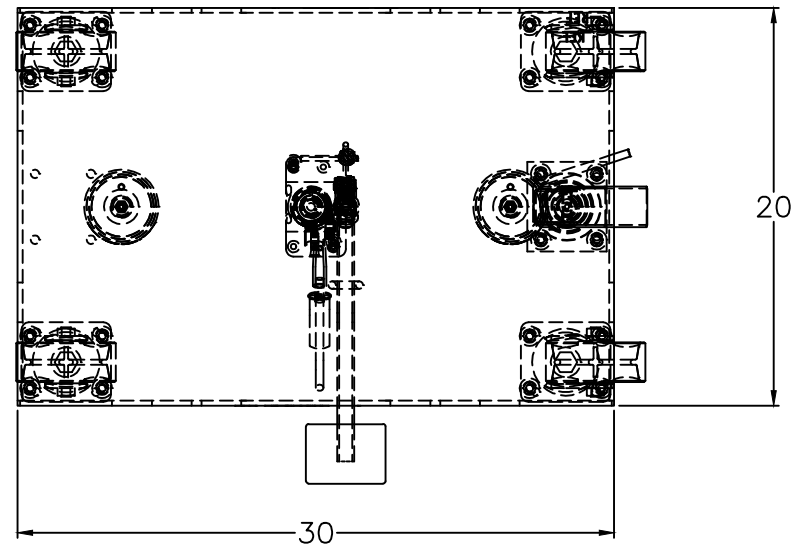
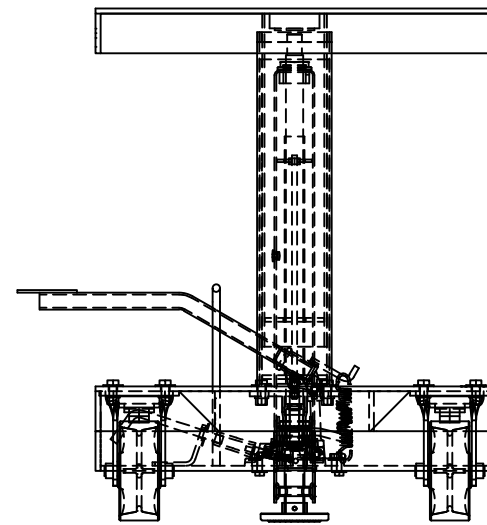
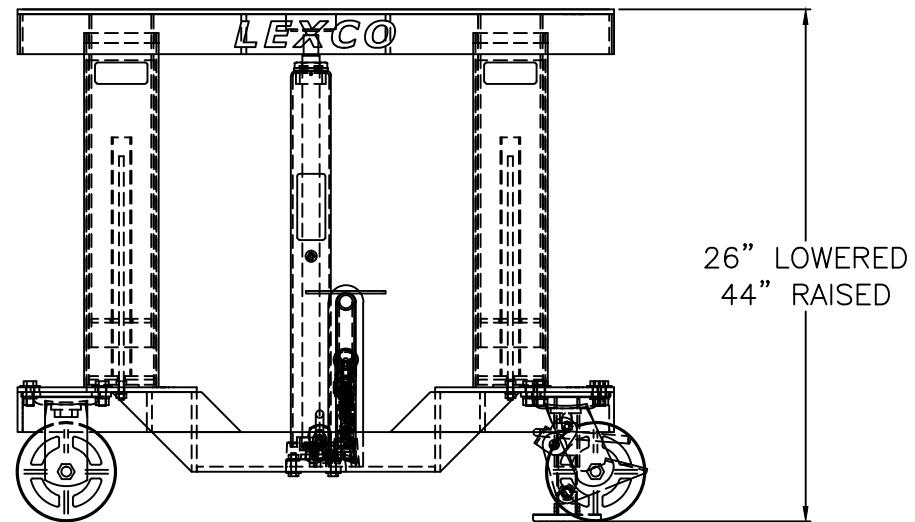


492235



Foot Operated Hydraulic Lift Table

- Top and base 12 gauge steel.
- 2 rigid and 2 swivel 5" diameter rubber casters.
- Floor lock.
- Optional phenolic resin, polyurethane and steel caster wheels.
- Precision telescoping guide tubes.



Specs

- Capacity: 500 lbs
- Table size: 20" x 30"
- Lowered height: 26"
- Raised height: 44"
- Caster size: 5"
- Lift: 18"
- Weight: 180 lbs
- Base: Drop

THIS DRAWING IN ALL PARTICULARS IS WESCO INDUSTRIAL PRODUCTS INC. PROPERTY. ALL RIGHTS OF DESIGN, INVENTION OR USE OF ARE RESERVED.

REV.	ECN & DATE	APP	WESCO INDUSTRIAL PRODUCTS INC.		DRAWN:			
			LANSDALE PENNA. 19446			CHECKED:		
			PART NAME				APP. ENGR.	
			HT-2368-05-FR					SCALE:
			TOLERANCE UNLESS OTHERWISE SPECIFIED					
FRACTION 3 PLACE DECIMAL 2 PLACE DECIMAL		REV						
± 1/64 ± .005 ± .01			SHEET 1 OF 1					
ANGULAR ± 1-1/2'				BREAK ALL SHARP EDGES AND REMOVE ALL BURRS				
REVISIONS								
REV.								