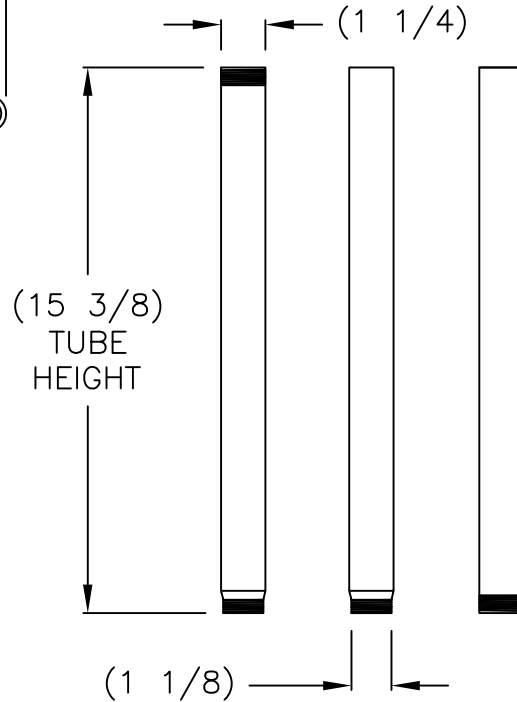
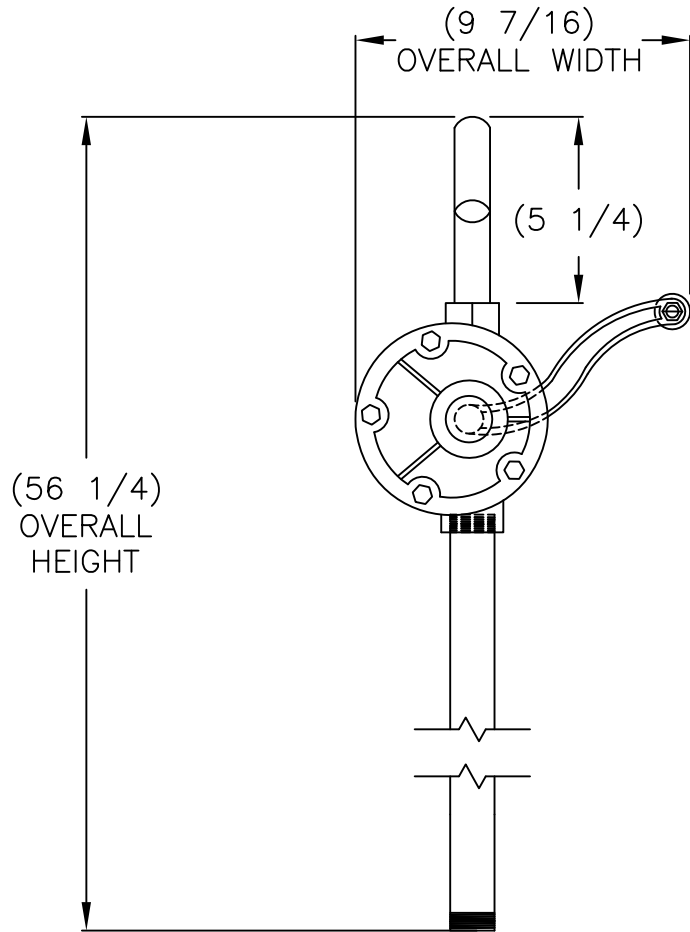


440017

NON-SPARKING ROTARY PUMP



FEATURES:

- RUGGED ALUMINUM CONSTRUCTION.
- DURABLE PHENOLIC VEINS.
- SELF-PRIMING.
- SUPPLIED WITH:
 - PUMP WITH HANDLE
 - DISCHARGE TUBE
 - ALUMINUM HOUSING
 - 3 PIECE WELDED STEEL PIPE
 - THREADED SUCTION TUBE.
 - PLASTIC STRAINER
 - BUNG ADAPTER
- UPS SHIPPABLE.

WEIGHT: 17 LBS.
 BOXED: YES
 BOXED SIZE: 16" x 6-1/8 x 5-5/8"

NOTE: OVERALL DEPTH (9 1/2)

THIS DRAWING IN ALL PARTICULARS IS WESCO INDUSTRIAL PRODUCTS, LLC PROPERTY. ALL RIGHTS OF DESIGN, INVENTION OR USE OF ARE RESERVED.

	APP	WESCO INDUSTRIAL PRODUCTS, LLC		
		NORTH WALES		PENNA. 19454
	ECN & DATE	PART NAME		DRAWN: RWS 06-20-13
	REVISIONS	NON-SPARKING ROTARY PUMP		CHECKED:
		TOLERANCE UNLESS OTHERWISE SPECIFIED		
		FRACTION	3 PLACE DECIMAL	2 PLACE DECIMAL
		± 1/64	± .005	± .01
		ANGULAR ± 1-1/2°	SHEET 1 OF 1	SCALE: 1" = 1"
	REV.	BREAK ALL SHARP EDGES AND REMOVE ALL BURRS		
				A-440017
				REV