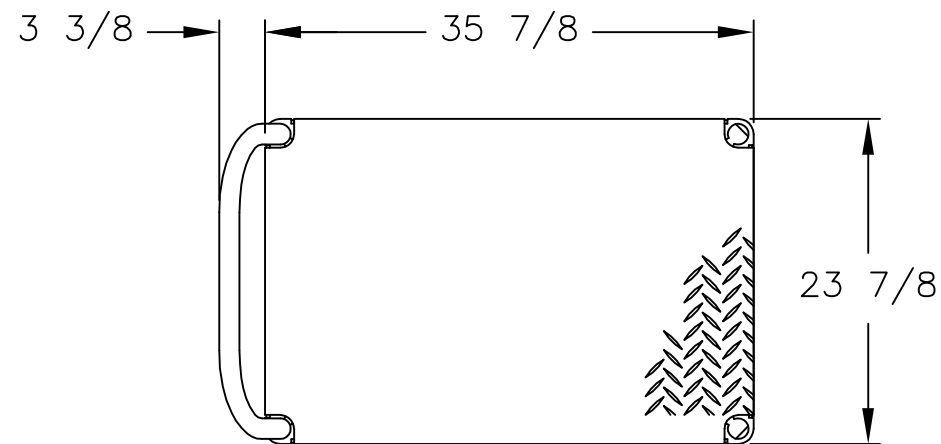


# ALUMINUM PLATFORM TRUCKS

**Features:**

- Aluminum is corrosion resistant and maintains clean appearance.
- Strong enough to handle up to 3,000 lbs (depending upon caster selection).
- Lightweight aluminum allows for easy maneuverability.
- Corner sockets at both ends allow handles to be used on either or both ends of truck.
- For truck platform height add 2.5" to caster height.
- Handle included.
- Bolt on casters. (Casters sold separately)



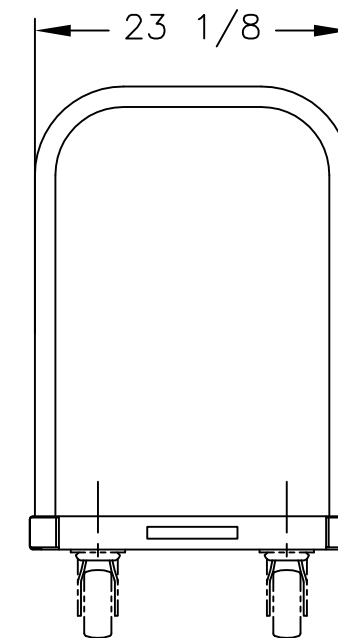
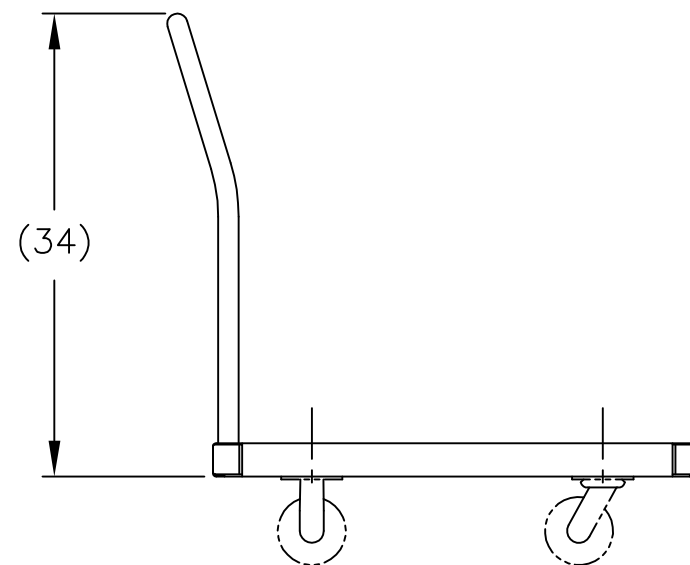
## REPLACEMENT PARTS LIST

052574	24" PUSH HANDLE
052849	24" PUSH HANDLE W/CROSSBRACE
250022	SET: CORNER BUMPERS
250023	SET: PERIMETER BUMPERS
CASTER SETS (OPTION)	
250046	SR-5A POLYOLEFIN, 5 x 1.5"
250047	SR-5 POLYOLEFIN, 5 x 2"
240049	SR-6 POLYOLEFIN, 6 x 2"
250052	PR-6 PHENOLIC, 6" x 2"
250056	PR-8 PHENOLIC, 8" x 2"
250250	PN-8 PNEUMATIC, 8" x 2.5"
250050	MR-6 MOLDON RUBBER, 6" x 2"
250053	MR-8 MOLDON RUBBER, 8" x 2"
250051	MP-6 MOLDON POLYURETHANE, 6" x 2"
250055	MP-8 MOLDON POLYURETHANE, 8" x 2"

### ATP - ALUMINUM TREADPLATE MODEL

- Slip-resistant diamond pattern surface.
- Solid one piece platform surface construction.

Model: **ATP-2436**  
 Platform: 24" x 36"  
 Weight: 32 lbs



THIS DRAWING IN ALL PARTICULARS IS WESCO MFG. CO. PROPERTY. ALL RIGHTS OF DESIGN, INVENTION OR USE OF ARE RESERVED.

PRINT ISSUED  
 OCT. 27, 2006  
 WESCO MANUFACTURING  
 ENGINEERING DEPARTMENT

APP	<b>WESCO MANUFACTURING CO.</b>	
	LANSDALE	PENNA. 19446
ECN & DATE	PART NAME	DRAWN: SKH 7-29-94
	<b>ATP-2436</b>	CHECKED:
	TOLERANCE UNLESS OTHERWISE SPECIFIED	
REV.	FRACTION	3 PLACE DECIMAL
	± 1/64	± .005
	ANGULAR ± 1-1/2'	SHEET 1 OF 1
	BREAK ALL SHARP EDGES AND REMOVE ALL BURRS	

SCALE: 1" = 14"  
**B- 350036** REV