

ALUMINUM PLATFORM TRUCKS

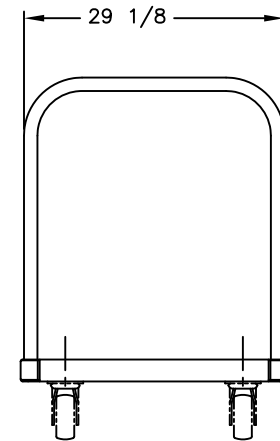
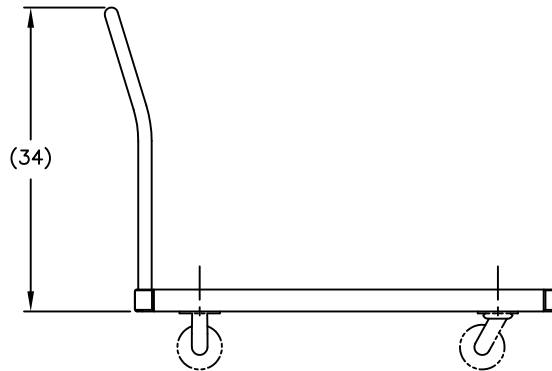
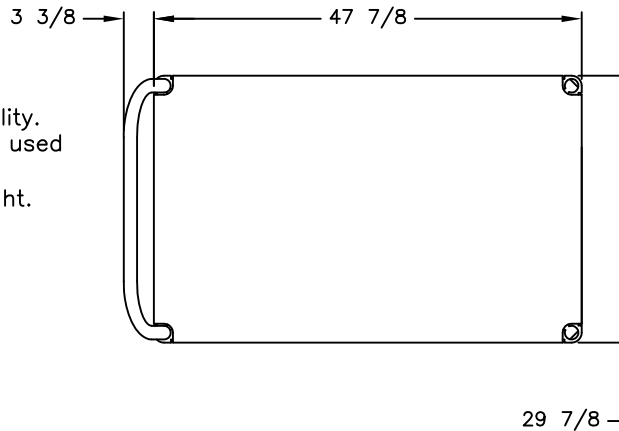
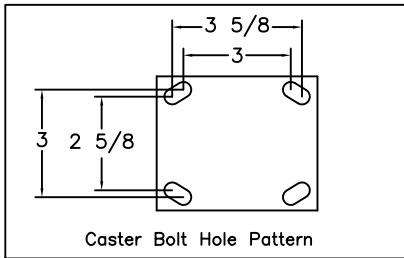
Features:

- Aluminum is corrosion resistant and maintains clean appearance.
- Strong enough to handle up to 3,000 lbs (depending upon caster selection).
- Lightweight aluminum allows for easy maneuverability.
- Corner sockets at both ends allow handles to be used on either or both ends of truck.
- For truck platform height add 2.5" to caster height.
- Handle included.
- Bolt on casters. (Casters sold separately)

ASD - ALUMINUM SMOOTH DECK

- Smooth surface that is easy to keep clean.
- Solid one piece platform surface construction.

Model: ASD-3048
 Platform: 30" x 48"
 Weight: 37 lbs



REPLACEMENT PARTS LIST

ITEM	P/N	DESCRIPTION	QTY
1	052575	30" PUSH HANDLE	1
2	052850	30" PUSH HANDLE W/CROSSBRACE	1
3	250022	SET: CORNER BUMPERS	1
4	250023	SET: PERIMETER BUMPERS	1
CASTER SET OPTIONS (INCLUDE 2 SWIVEL/2 RIGID)			
5	250046	SR-5A POLYOLEFIN, 5" x 1.5"	1
6	250047	SR-5 POLYOLEFIN, 5" x 2"	1
7	240049	SR-6 POLYOLEFIN, 6" x 2"	1
8	250052	PR-6 PHENOLIC, 6" x 2"	1
9	250056	PR-8 PHENOLIC, 8" x 2"	1
10	250250	PN-8 PNEUMATIC, 8" x 2.5"	1
11	250050	MR-6 MOLDON RUBBER, 6" x 2"	1
12	250053	MR-8 MOLDON RUBBER, 8" x 2"	1
13	250051	MP-6 MOLDON POLYURETHANE, 6" x 2"	1
14	250055	MP-8 MOLDON POLYURETHANE, 8" x 2"	1

THIS DRAWING IN ALL PARTICULARS IS WESCO INDUSTRIAL PRODUCTS, LLC PROPERTY. ALL RIGHTS OF DESIGN, INVENTION OR USE OF ARE RESERVED.

PRINT ISSUED

APR. 26, 2018

WESCO MANUFACTURING
ENGINEERING DEPARTMENT

WESCO INDUSTRIAL PRODUCTS, LLC
 NORTH WALES PENNA. 19454

PART NAME		DRAWN: SKH 7-29-94	
ASD-3048		CHECKED:	
TOLERANCE UNLESS OTHERWISE SPECIFIED		APP. ENGR.	
FRACTION	3 PLACE DECIMAL	2 PLACE DECIMAL	SCALE: 1" = 12"
± 1/64	± .005	± .01	B- 350030
ANGULAR ± 1-1/2'	SHEET 1	OF 1	
BREAK ALL SHARP EDGES AND REMOVE ALL BURRS			

REV. ECN & DATE APP. REVISIONS