

ALUMINUM PLATFORM TRUCKS

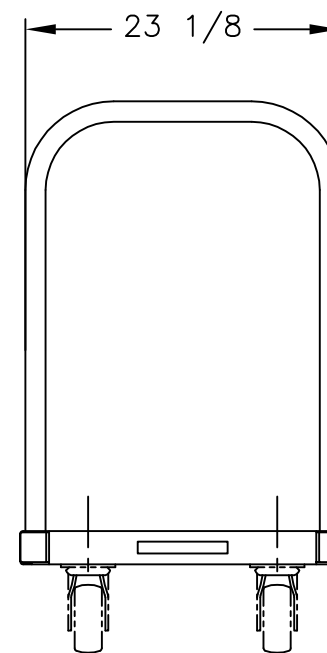
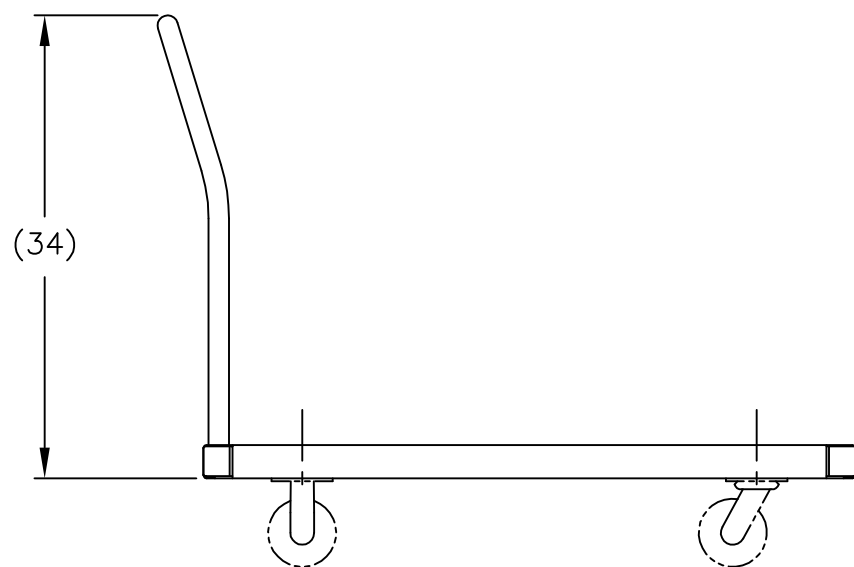
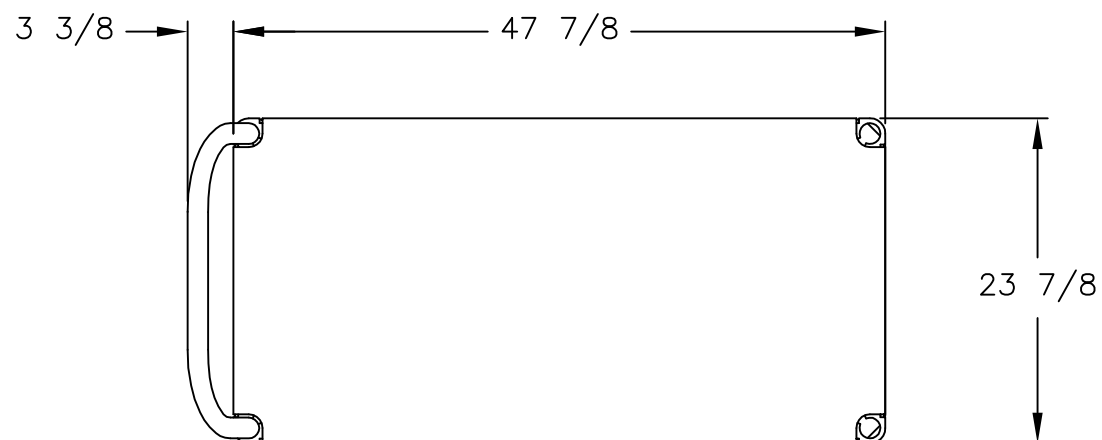
Features:

- Aluminum is corrosion resistant and maintains clean appearance.
- Strong enough to handle up to 3,000 lbs (depending upon caster selection).
- Lightweight aluminum allows for easy maneuverability.
- Corner sockets at both ends allow handles to be used on either or both ends of truck.
- For truck platform height add 2.5" to caster height.
- Handle included.
- Bolt on casters. (Casters sold separately)

ASD - ALUMINUM SMOOTH DECK

- **Smooth surface that is easy to keep clean.**
- Solid one piece platform surface construction.

Model: ASD-2448
 Platform: 24" x 48"
 Weight: 33 lbs



REPLACEMENT PARTS LIST

052574	24" PUSH HANDLE
052849	24" PUSH HANDLE W/CROSSBRACE
250022	SET: CORNER BUMPERS
250023	SET: PERIMETER BUMPERS

CASTER SETS (OPTION)

250046	SR-5A POLYOLEFIN, 5 x 1.5"
250047	SR-5 POLYOLEFIN, 5 x 2"
240049	SR-6 POLYOLEFIN, 6 x 2"
250052	PR-6 PHENOLIC, 6" x 2"
250056	PR-8 PHENOLIC, 8" x 2"
250250	PN-8 PNEUMATIC, 8" x 2.5"
250050	MR-6 MOLDON RUBBER, 6" x 2"
250053	MR-8 MOLDON RUBBER, 8" x 2"
250051	MP-6 MOLDON POLYURETHANE, 6" x 2"
250055	MP-8 MOLDON POLYURETHANE, 8" x 2"

THIS DRAWING IN ALL PARTICULARS IS WESCO MFG. CO. PROPERTY. ALL RIGHTS OF DESIGN, INVENTION OR USE OF ARE RESERVED.

PRINT ISSUED
 OCT. 27, 2006
 WESCO MANUFACTURING
 ENGINEERING DEPARTMENT

APP	WESCO MANUFACTURING CO.		LANSDALE PENNA. 19446	
	PART NAME		DRAWN: SKH 7-29-94	
ECN & DATE	ASD-2448		CHECKED:	
	TOLERANCE UNLESS OTHERWISE SPECIFIED		APP. ENGR.	
REV.	FRACTION 3 PLACE DECIMAL 2 PLACE DECIMAL		SCALE: 1" = 14"	
	± 1/64 ± .005 ± .01		B- 350028	
	ANGULAR ± 1-1/2' SHEET 1 OF 1			
BREAK ALL SHARP EDGES AND REMOVE ALL BURRS				