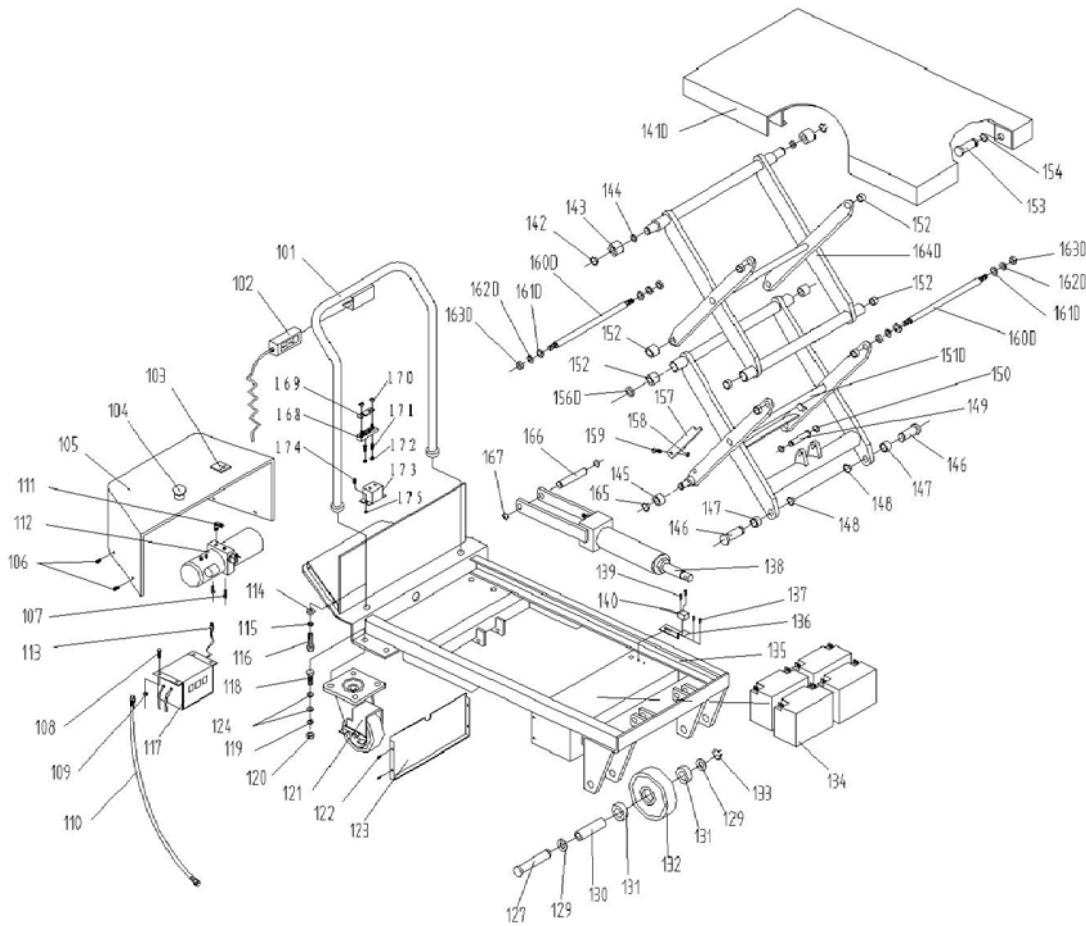


273713



REPLACEMENT PARTS LIST

ITEM	PART NO.	DESCRIPTION	QTY.
101		HANDLE GRIP	1
102		CONTROL SWITCH	1
103		VOLTAGE INDICATOR	1
104		SWITCH	1
105		HOOD	1
106		BOLT	4
107		BOLT	2
108		BOLT	4
109		NUT	4
110		OIL PIPE	1
111		90° CURVE	1
112		PUMP UNIT	1
113		PLUG	1
114		WASHER	2
115		ELASTIC WASHER	2
116		BOLT	2
117		CHARGER	1
118		BOLT	8
119		ELASTIC WASHER	8
120		BOLT	8
121		UNIVERSAL WHEEL	2
122		BOLT	4
123		COVER	1
124		WASHER	16
127		WHEEL AXLE	2
129		WASHER	4
130		REDUCTION PIPE	2
131		BEARING	4
132		WHEEL	2
133		RETAINING RING	2
134		BATTERY	4
135		FRAME	1
136		SWITCH SEAT	1
137		BOLT	2
138		CYLINDER	1
139		BOLT	2

REPLACEMENT PARTS LIST

ITEM	PART NO.	DESCRIPTION	QTY.
140		PROXIMITY SWITCH	1
141D		TABLE	1
142		RETAINING RING	2
143		ROLLER	2
144		WASHER	2
145		ROLLER	2
146		PIN	2
147		BUSHING	2
148		RETAINING RING	2
149		PIN	1
150		RETAINING RING	2
151D		FORK ARM	1
152		BUSHING	8
153		PIN	2
154		RETAINING RING	2
156D		WASHER	4
157		SUPPORT PLANK	2
158		NUT	2
159		SCREW	2
160D		LONG SHAFT	2
161D		WASHER	4
162D		WASHER	4
163D		NUT	4
164D		TOP FORK ARM	1
165		RETAINING RING	2
166		SHAFT	1
167		RETAINING RING	2
168		SEAT OF FUSE	1
169		FUSE CNL-60A	1
170		NUT M8	4
171		BOLT	2
172		NUT M5	2
173		RELAY MODULE	1
174		BOLT	2
175		NUT M4	2

POWERED SCISSORS LIFT TABLES

P/N: 273713
 Model: PSLT-770-DS
 Capacity: 770 lbs
 Table Top Size: 19.625" x 35.875" x 2.25"
 Weight: 300 lbs

Overall Height: 36"
 Overall Width: 19.625"
 Overall Length: 48"
 Caster: 5" x 1.25"
 Moldon Polyurethane

THIS DRAWING IN ALL PARTICULARS IS WESCO INDUSTRIAL PRODUCTS INC. PROPERTY. ALL RIGHTS OF DESIGN, INVENTION OR USE OF ARE RESERVED.

PRINT ISSUED

FEB-25-2015

WESCO MANUFACTURING
ENGINEERING DEPARTMENT

APP
ECN & DATE
REV.

REVISIONS

WESCO INDUSTRIAL PRODUCTS INC.
NORTH WALES PENNA. 19454

PART NAME
PSLT-770-DS
POWERED SCISSORS LIFT TABLES

DRAWN: RS 02-25-15

CHECKED:

APP. ENGR.

SCALE:

TOLERANCE UNLESS OTHERWISE SPECIFIED

FRACTION 3 PLACE DECIMAL 2 PLACE DECIMAL

± 1/64 ± .005 ± .01

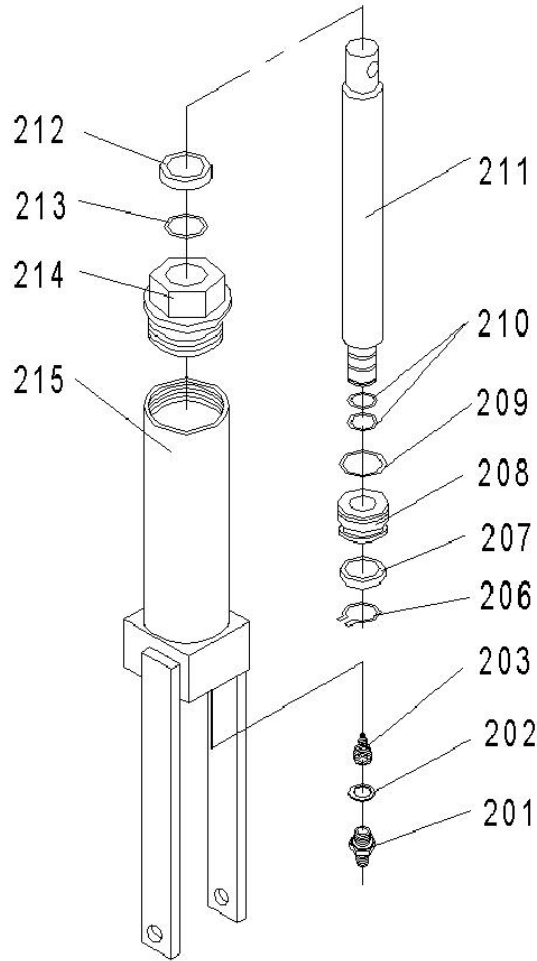
ANGULAR ± 1-1/2" SHEET 1 OF 2

BREAK ALL SHARP EDGES AND REMOVE ALL BURRS

A-273713

REV

273713



138

REPLACEMENT PARTS LIST

ITEM	PART NO.	DESCRIPTION	QTY.
201		NIPPLES	1
202		SEAL WASHER	1
203		SAFETY VALVE	1
206		RETAINING RING	1
207		Y-SEAL	1
208		PISTON	1
209		O-RING	1
210		O-RING	2
211		PISTON ROD	1
212		DUST RING	1
213		O-RING	1
214		CYLINDER CAP	1
215		CYLINDER	1

THIS DRAWING IN ALL PARTICULARS IS WESCO INDUSTRIAL PRODUCTS INC. PROPERTY. ALL RIGHTS OF DESIGN, INVENTION OR USE OF ARE RESERVED.

PRINT ISSUED

FEB-25-2015

WESCO MANUFACTURING
ENGINEERING DEPARTMENT

APP
ECN & DATE
REV.

REVISIONS

WESCO INDUSTRIAL PRODUCTS INC.

NORTH WALES

PENNA. 19454

PART NAME

PSLT-770-DS

DRAWN: RS 02-25-15

POWERED SCISSORS LIFT TABLES

CHECKED:

TOLERANCE UNLESS OTHERWISE SPECIFIED

APP. ENGR.

FRACTION 3 PLACE DECIMAL 2 PLACE DECIMAL

SCALE:

± 1/64 ± .005 ± .01

ANGULAR ± 1-1/2' SHEET 2 OF 2

BREAK ALL SHARP EDGES AND REMOVE ALL BURRS

A-273713

REV