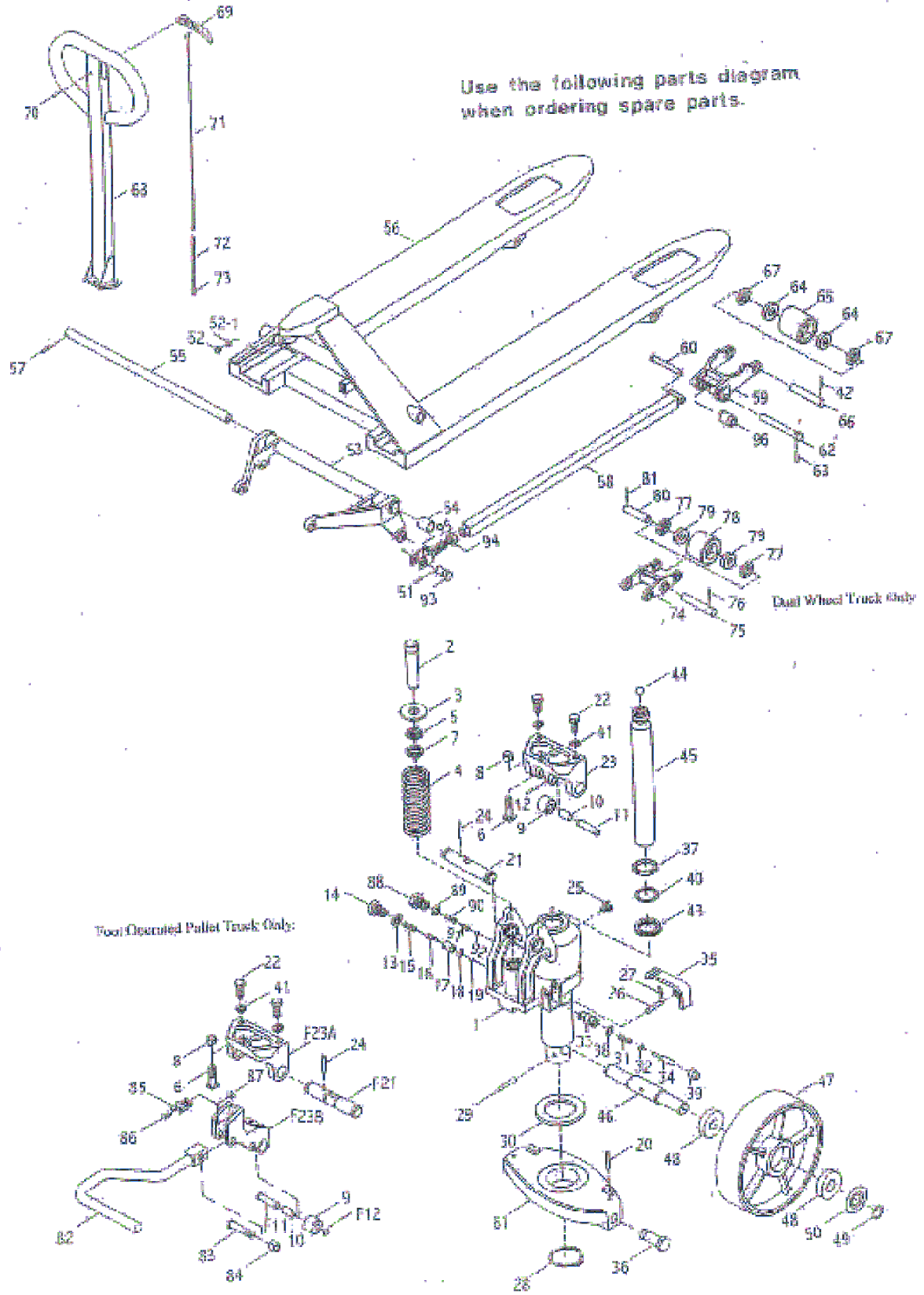


# DIAGRAM *Deluxe pallet truck*

Use the following parts diagram when ordering spare parts.



| Parts list continued |        |   |
|----------------------|--------|---|
| 51                   | 270138 | SPRING PIN                                    |
| 52                   | 270581 | SCREW   |
| 53                   | 270257 | 27" TRUNION (Old Style)                       |
|                      | 270582 | 27" TRUNION (New Style)                       |
| 54                   | 270258 | BUSHING                                       |
| 55                   | 270575 | 27" PIVOT ROD                                 |
| 57                   | 270272 | SPRING PIN                                    |
| 58                   | 270280 | 42" CONN. ROD (Old Style)                     |
|                      | 270585 | 42" CONN. ROD (New Style)                     |
|                      | 270842 | 42" ADJUSTABLE TIE ROD                        |
| 59                   | 270263 | LOAD WHEEL YOKE                               |
| 60                   | 270264 | CONNECTING ROD PIN                            |
| 61                   | 270284 | YOKE  |
| 62                   | 270144 | YOKE AXLE                                     |
| 63                   | 270266 | SPRING PIN                                    |
| 64                   | 270273 | BALL BEARING                                  |
| 65                   | 270288 | LOAD WHEEL                                    |
| 66                   | 270145 | LOAD WHEEL AXLE                               |
| 67                   | 270289 | NYLON COVER                                   |
| 68A                  | 270819 | COATED HANDLE (sold in 270411 Handle set)     |
| 69                   |        | CONTROL LEVER (sold in 270155 release ass'y)  |
| 70                   | 270157 | SPRING PIN                                    |
| 71                   |        | WIRE (sold in 270155 release ass'y)           |
| 72                   |        | CHAIN COUPLING (sold in 270155 release ass'y) |
| 73                   | 270148 | NUT   |
| 93                   | 270833 | PIN   |
| 94                   | 270834 | ADJUST NUT                                    |
| 95                   | 270835 | ADJUST SCREW NUT                              |
| 96                   | 270821 | EXIT ROLLER                                   |
| *                    | 270105 | KIT: HANDLE BASE                              |
| *                    | 270141 | KIT: HANDLE                                   |
| *                    | 270155 | KIT: HANDLE RELEASE ASS'Y                     |
| *                    | 270158 | KIT: SEAL                                     |

| Replacement Parts List |        |  |
|------------------------|--------|--|
| 1                      | 270150 | PUMP REPLACEMENT                           |
| 2                      | 270101 | PLUNGER PISTON                             |
| 3                      | 270578 | CAP WASHER                                 |
| 4                      | 270102 | SPRING                                     |
| 5                      |        | DUST SEAL (sold in 270158 seal kit)        |
| 6                      | 270313 | SCREW                                      |
| 7                      |        | CUP PACKING (sold in 270158 seal kit)      |
| 8                      | 270236 | JAM NUT                                    |
| 9                      | 270631 | ROLLER (sold in 270105 Hdl. base kit)      |
| 10                     | 270632 | BUSHING (sold in 270105 Hdl. base kit)     |
| 11                     |        | AXLE (sold in 270105 Hdl. base kit)        |
| 12                     |        | BALL (sold in 270105 Hdl. base kit)        |
| 13                     |        | PACKING (sold in 270158 seal kit)          |
| 14                     | 270107 | SCREW                                      |
| 15                     |        | SPRING (sold in 270158 seal kit)           |
| 16                     | 270109 | VALVE CONE                                 |
| 17                     | 270110 | VALVE HOUSING                              |
| 18                     |        | O-RING (sold in 270158 seal kit)           |
| 19                     |        | BALL (sold in 270158 seal kit)             |
| 20                     | 270113 | SPRING PIN                                 |
| 21                     | 270114 | AXLE                                       |
| 22                     | 270115 | BOLT/WASHER                                |
| 23                     |        | HANDLE BASE (sold in 270105 Hdl. base kit) |
| 24                     | 270116 | SPRING PIN                                 |
| 25                     | 270117 | OIL PLUG                                   |
| 26                     | 270118 | AXLE PIN                                   |
| 27                     | 270119 | PIN  |
| 28                     | 270120 | LOCKING RING                               |
| 29                     | 270121 | SPRING PIN                                 |
| 30                     | 270122 | THRUST BEARING                             |
| 31                     |        | SPRING (sold in 270158 seal kit)           |
| 32                     |        | O-RING (sold in 270158 seal kit)           |
| 33                     | 270576 | RELIEF CYLINDER                            |
| 34                     | 270125 | RELEASE PISTON                             |
| 35                     | 270126 | LOWERING ARM                               |
| 36                     | 270127 | TABLE BOLT                                 |
| 37                     |        | DUST SEAL (sold in 270158 seal kit)        |
| 38                     | 270268 | O-RING                                     |
| 39                     | 270267 | PISTON BOOT                                |
| 40                     |        | O-RING (sold in 270158 seal kit)           |
| 41                     | 270115 | BOLT/WASHER                                |
| 42                     | 270265 | LOAD WHEEL AXLE PIN                        |
| 43                     |        | O-RING (sold in 270158 seal kit)           |
| 44                     | 270579 | BALL, small dia. (old style)               |
|                        | 270132 | BALL                                       |
| 45                     | 270133 | RAM PISTON                                 |
| 46                     | 270134 | WHEEL SHAFT                                |
| 47                     | 270135 | STEERING WHEEL                             |
| 48                     | 270273 | BALL BEARING                               |
| 49                     | 270137 | LOCKING RING                               |
| 50                     | 270270 | CAP (Old Style)                            |
|                        | 270314 | cap (New Style)                            |

## DELUXE PALLET TRUCKS

- 5 Year pump warranty
- 5,500 lbs capacity
- pump overload bypass
- rubber coated handle
- Adjustable fork tie rods
- Exit rollers
- 200° steering
- Tapered fork tips
- 8 gauge 6" wide reinforced forks

## Standard Deluxe Models

- 8" moldon polyurethane steering wheel.
- 3" moldon polyurethane load wheels.
- 8" raised height.
- 3" lowered height.
- 6" wide forks.

P/N **272742**  
 Fork WxL: 27" x 42"  
 Weight: 161 lbs  
 Capacity: 5,500 lbs

THIS DRAWING IN ALL PARTICULARS IS WESCO INDUSTRIAL PRODUCTS INC. PROPERTY. ALL RIGHTS OF DESIGN, INVENTION OR USE OF ARE RESERVED.

PRINT ISSUED  
 DEC 15, 2006  
 WESCO MANUFACTURING  
 ENGINEERING DEPARTMENT

|  |                    |
|--|--------------------|
| WESCO INDUSTRIAL PRODUCTS INC.<br>LANSDALE, PENNA. 19446 |                    |
| PART NAME<br>Standard Deluxe 27x42<br>pallet series      | DRAWN: KL 12-15-06 |
| CHECKED:   | APP. ENGR.         |
| TOLERANCE UNLESS OTHERWISE SPECIFIED                     |                    |
| FRACTION 3 PLACE DECIMAL                                 | 2 PLACE DECIMAL    |
| ± 1/64 ± .005  | ± .01              |
| ANGULAR ± 1-1/2°   | SHEET 1 OF 1       |
| BREAK ALL SHARP EDGES AND REMOVE ALL BURRS               |                    |
| D-272742   |                    |