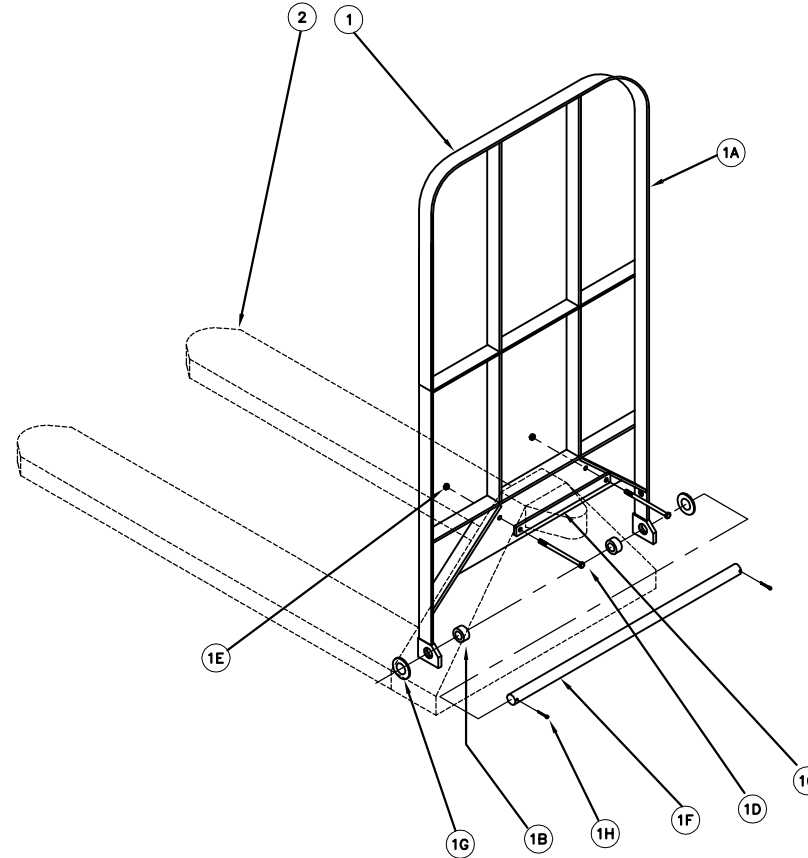


BILL OF MATERIAL			
ITEM	PART NO.	DESCRIPTION	QTY.
1	271999	KIT: REST SINGLE BACK	1
1A	055572	WELDMENT: REST, SINGLE BACK	1
1B	050291	COLLAR: STOP	2
1C	055420	BAR: LOCKING	1
1D	108904	HEX HEAD CAP SCREW	2
1E	108180	NUT: HEX, NYLOC	2
1F	052126	SHAFT: PIVOT	1
1G	108208	WASHER: FLAT, 1"	2
1H	108218	PIN: COTTER, 3/16" x 1-1/2 LG.	2
2	272660	CP1 ECONOMY PALLET TRUCK	1



THIS DRAWING IN ALL PARTICULARS IS WESCO INDUSTRIAL PRODUCTS INC. PROPERTY. ALL RIGHTS OF DESIGN, INVENTION OR USE OF ARE RESERVED.

PRINT ISSUED

JAN. 19, 2009

WESCO MANUFACTURING
ENGINEERING DEPARTMENT

REV.	APP.	WESCO INDUSTRIAL PRODUCTS INC.	
	REV.	LANSDALE PENNA. 19446	
	DATE	PART NAME	DRAWN: RDS 01-19-09
	REVISIONS	CPI WITH SINGLE BACK REST	CHECKED:
TOLERANCE UNLESS OTHERWISE SPECIFIED		APP. ENGR.	SCALE: 1" = 1"
FRACTION	3 PLACE DECIMAL	2 PLACE DECIMAL	
± 1/64	± .005	± .01	
ANGULAR ± 1-1/2'	SHEET 1	OF 1	C-272296
BREAK ALL SHARP EDGES AND REMOVE ALL BURRS			REV.