

272081

HEAVY DUTY BRASS FAUCET

WEIGHT: 1.431 LBS.

MINIMUM ORDER QTY. 2

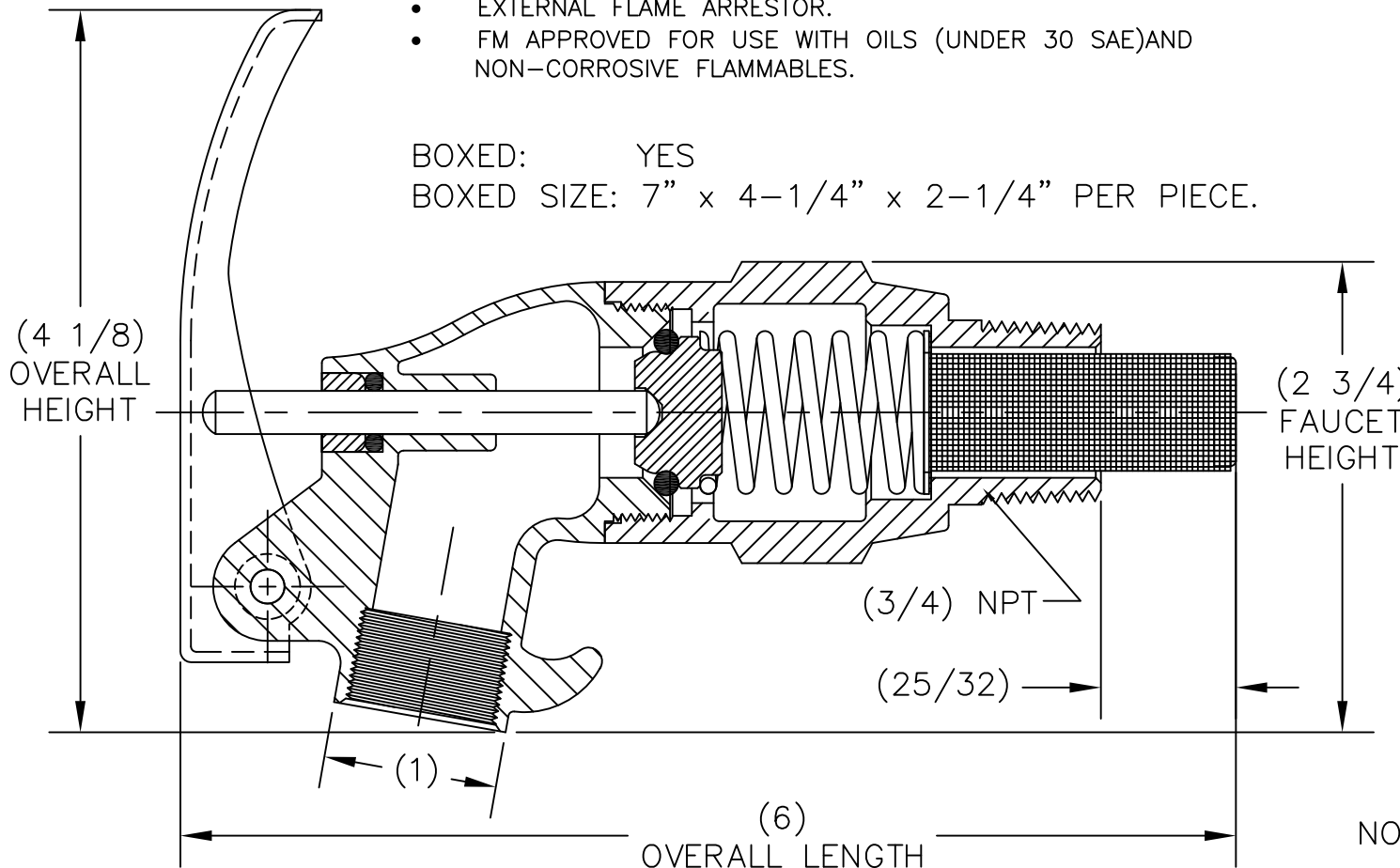
- ADJUSTABLE, RIGID SHANK DESIGNED TO EASILY ADJUST TO PROPER DRAIN POSITION AFTER INSTALLING IN DRUM.
- EXTERNAL FLAME ARRESTOR.
- FM APPROVED FOR USE WITH OILS (UNDER 30 SAE) AND NON-CORROSIVE FLAMMABLES.

FEATURES

- BRASS.
- EASY-TO-USE SELF-CLOSING DESIGN.
- .75" NPT CONNECTION.
- PTFE GASKET.

BOXED: YES

BOXED SIZE: 7" x 4-1/4" x 2-1/4" PER PIECE.



WESCO RECOMMENDS THAT IF A QUESTION ARISES, THE USER CONTACT THE SUPPLIER OF CHEMICALS TO DETERMINE IF THIS FAUCET IS COMPATIBLE WITH THOSE CHEMICALS. WESCO IS UNABLE TO OFFER SPECIFIC RECOMMENDATIONS FOR CHEMICAL USAGE.

WARNING: Bronze or Brass components of this product contain lead or arsenic. The state of California under Proposition 65 has determined that exposure to these chemicals is known to cause cancer or birth defects or other reproductive harm. Please wash hands after use.

NOTE: OVERALL WIDTH (1 3/4)

THIS DRAWING IN ALL PARTICULARS IS OUR PROPERTY. ALL RIGHTS OF DESIGN, INVENTION OR OF USE ARE RESERVED.

REVISIONS	APP.	
	ECN & DATE	
	REV.	

<p>WESCO INDUSTRIAL PRODUCTS, LLC NORTH WALES, PA 19454</p>			
PART NAME		WITH STRAINER SCREEN	
CAST BRONZE FAUCET ASSEMBLY		DRAWN RDS 02-14-06	
		APP. ENGR	
TOLERANCES UNLESS OTHERWISE SPECIFIED			
FRACTION	3 PLACE DECIMAL	2 PLACE DECIMAL	ANGULAR
± 1/64"	± .005	± .01	± 1-1/2'
SURFACE FINISH		250 UNLESS SPECIFIED	
BREAK ALL SHARP EDGES AND REMOVE ALL BURRS			REV. C
A-272081			