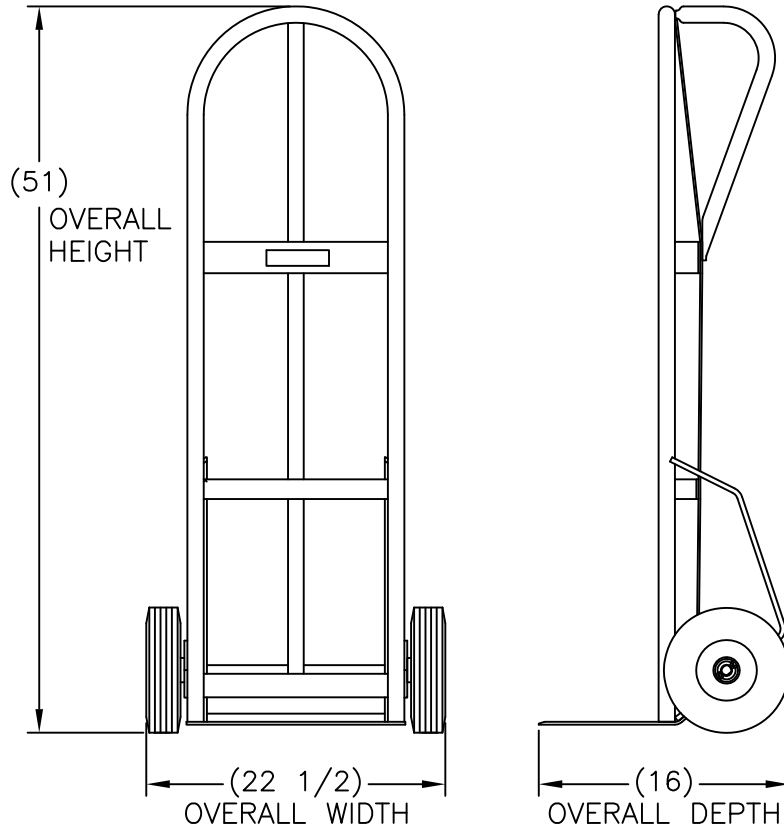


REPLACEMENT PARTS LIST

ITEM	PART NO.	DESCRIPTION	QTY.
1	150697	WHEEL: "Z8" 8 X 2	2
2	210099	24 FLD. NOSE W/HRDWARE	1
3	050045	PIVOT ROD (FN-24)	1
4	108232	RETAINING HOOK (FN-24)	1
5	050052	AXLE: "D" 19-7/8"	1



100 SERIES INDUSTRIAL HAND TRUCKS

- A 5 year guarantee against weld failure. A Wesco quality exclusive.
- Industrial strength heavy duty schedule 40 pipe frame construction.
- Ribbed cross braces for extra strength.
- All joints double welded.
- 8" deep x 14" wide nose is 7 gauge thick plate with machined beveled edge and radiused corners for safety.
- Zinc plated Auto-Loc axles assure smooth wheel rotation.
- All frame handle 8" or 10" wheels.
- Orange enamel finish.
- Vinyl handle grips are standard on appropriate frames.

SERIES 146D

- Single "D" shaped handle combined with high back curved design.
- Easier one hand control of stacked goods.
- Four horizontal cross straps and vertical center strap provide support for small packages.

P/N 270056  
 Model: 146D-Z8  
 Capacity: 600 lbs  
 Weight: 41 lbs  
 Boxed: No  
 Hub: Poly Offset  
 Dimensions: 8" x 2.5"  
 Wheel Type: Solid Rubber

PRINT ISSUED

DEC 29, 2006

WESCO MANUFACTURING  
 ENGINEERING DEPARTMENT

R W S APP  
 01-17-13  
 UPDATED  
 B

WESCO MANUFACTURING CO. NORTH WALES PENNA. 19454		PART NAME		DRAWN: LDU 8-3-00
		146D-Z8		CHECKED:
TOLERANCE UNLESS OTHERWISE SPECIFIED		3 PLACE DECIMAL		2 PLACE DECIMAL
± 1/64		± .005		± .01
ANGULAR ± 1-1/2"		SHEET 1 OF 1		SCALE: 8" = 1"
BREAK ALL SHARP EDGES AND REMOVE ALL BURRS		B- 270056		REV B