

POWER LIFT TABLES

Features:

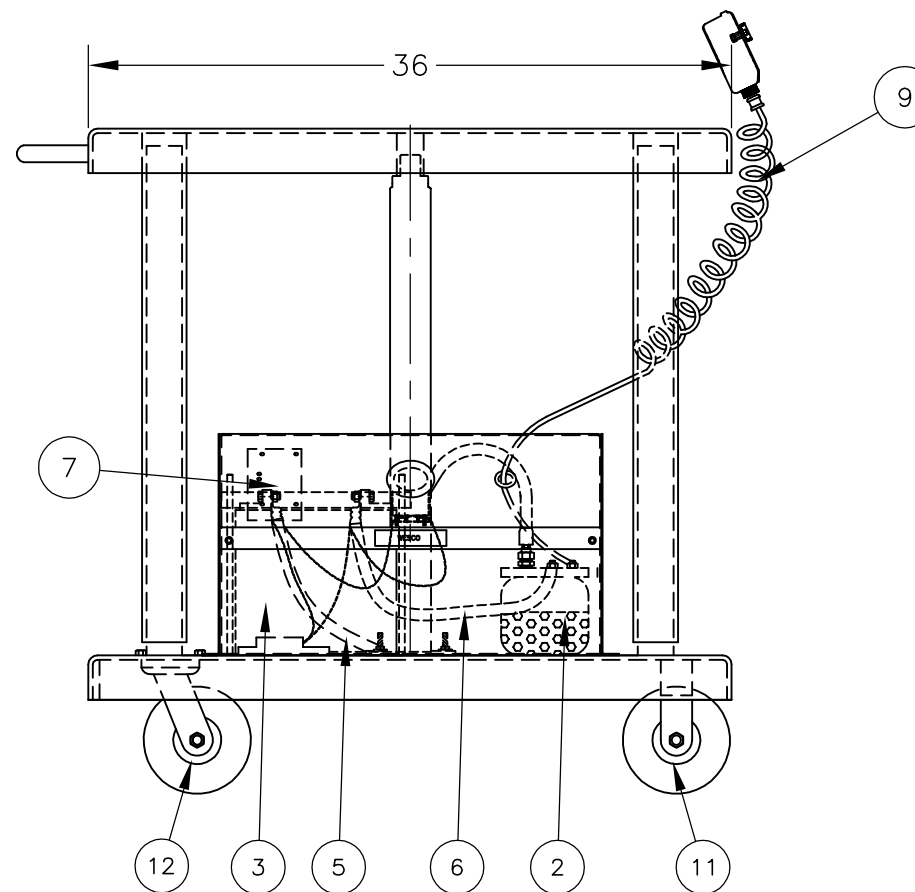
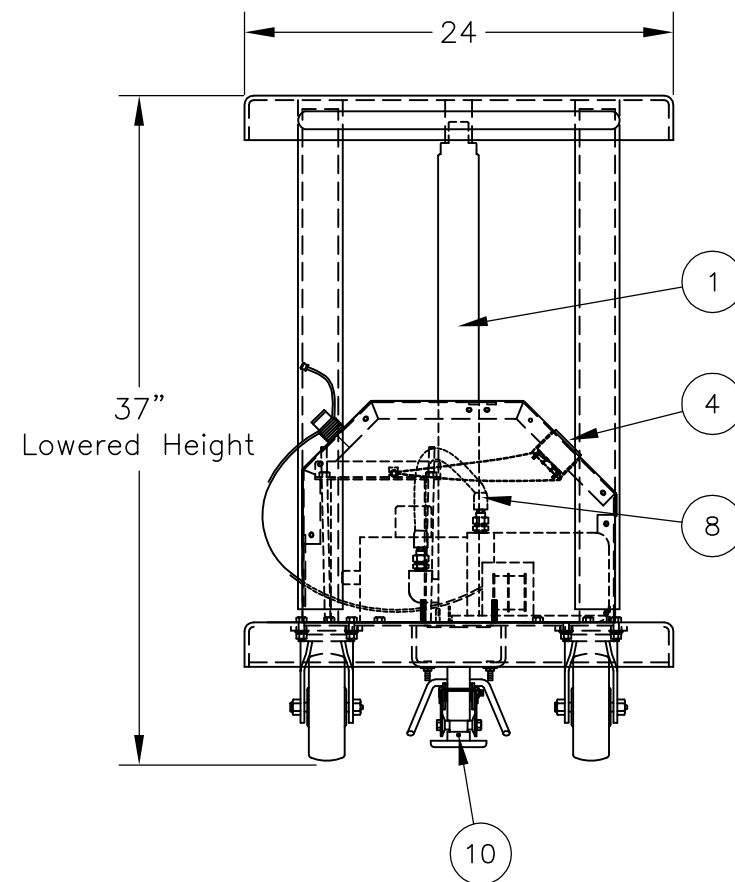
- Up to 6,000 lbs capacity.
- Standard floor lock holds table steady for loading and unloading.
- Easy to read illuminated battery status voltmeter.
- Three light LED battery charge status indicator.
- With a minimally charged battery, unit can be used while recharging.

Model: PLT-60-2436  
 Table Size: 24" x 36"  
 Lowered Ht: 37"  
 Raised Ht: 59"  
 Caster Size: 6"  
 Capacity: 6,000 lbs  
 Weight: 442 lbs

REPLACEMENT PARTS LIST

1	051169	JACK: ASS'Y (28")	1
2	109111	PUMP: HYDRAULIC, 12V, HORZ.	1
3	109102	BATTERY	1
4	109104	VOLTMETER	1
5	052777	ASS'Y: BATTERY (-)	1
6	052778	ASS'Y: BATTERY (+)	1
7	052762	BATTERY CHARGER	1
8	125828	HYDRAULIC HOSE	1
9	052726	SUB-ASS'Y: REMOTE CONTROL	1
10	150001	FLOOR LOCK	1
11	053770	WHEELS	2
12	054258	CASTER	2
* 13	050725	SEAL KIT	1

\* NOT SHOWN



THIS DRAWING IN ALL PARTICULARS IS WESCO INDUSTRIAL PRODUCTS INC. PROPERTY. ALL RIGHTS OF DESIGN, INVENTION OR USE OF ARE RESERVED.

PRINT ISSUED

MAY 16, 2006

WESCO MANUFACTURING  
ENGINEERING DEPARTMENT

APP REV. EDN & DATE REVISIONS	WESCO INDUSTRIAL PRODUCTS INC. LANSDALE PENNA. 19446	
	PART NAME PLT-60-2436	DRAWN: KL 03-03-02 CHECKED: PS 03-05-02
	TOLERANCE UNLESS OTHERWISE SPECIFIED	
	FRACTION 3 PLACE DECIMAL 2 PLACE DECIMAL ± 1/64 ± .005 ± .01	SCALE: 1" = 7"
ANGULAR ± 1-1/2'	SHEET 1 OF 1	C-261106 REV
BREAK ALL SHARP EDGES AND REMOVE ALL BURRS		