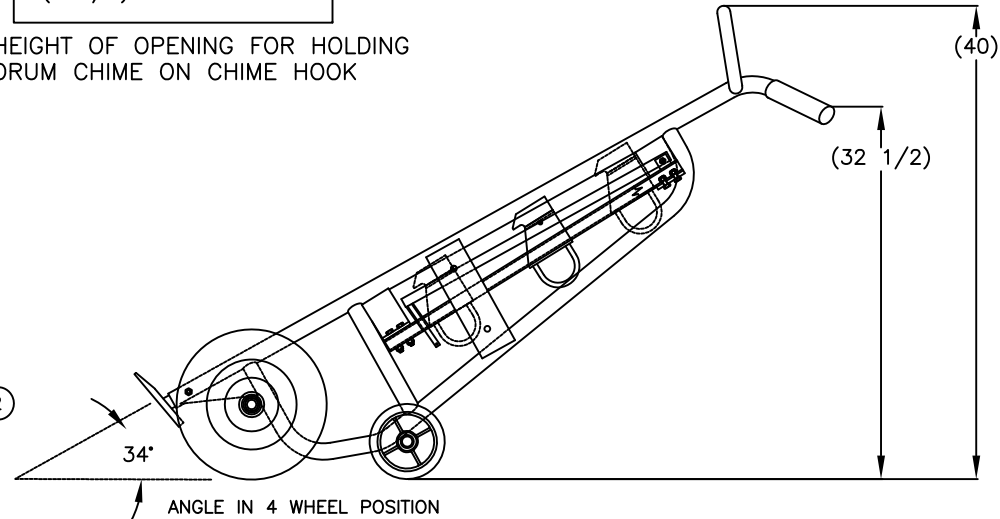
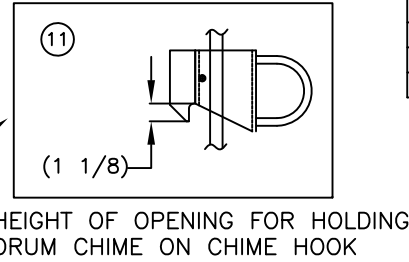
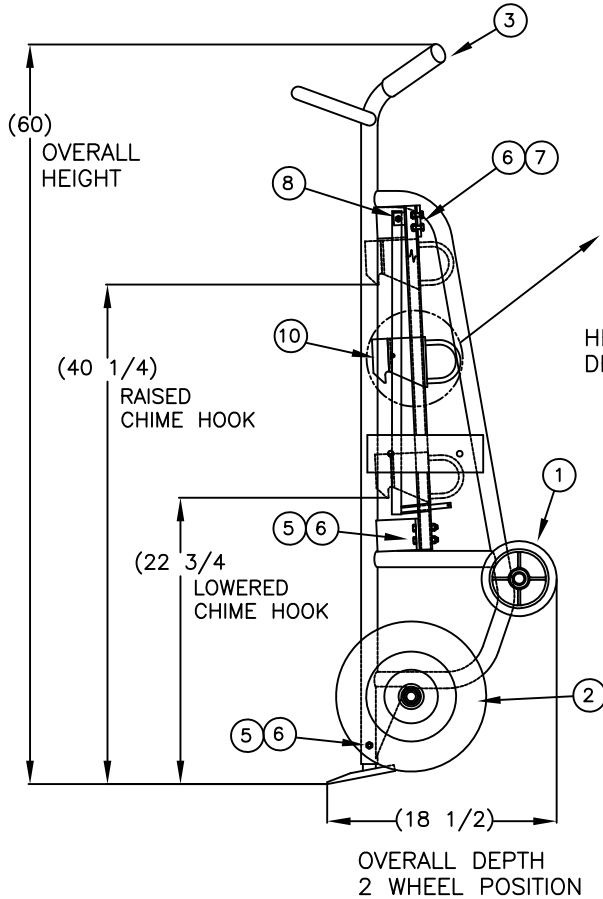
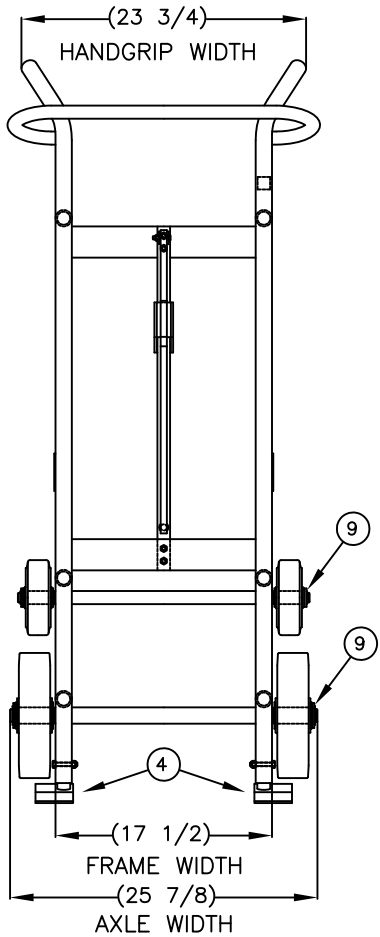


REPLACEMENT PARTS LIST

ITEM	PART NO.	DESCRIPTION	QTY.
1	050567	6" WHEEL	2
2	108484	12" PNEUMATIC WHEEL	2
3	108433	HANDGRIP	2
4	055648	LH/RH TOE WELDMENT	2
5	108934	HEX HD SCREW 5/16-18X1-3/4"	4
6	108132	HEX NYLOCK NUT 5/16-18	6
7	108148	HH CAP SCREW 5/16-18X3/4	2
8	108929	HEX NYLOCK NUT 1/4-20	1
9	108204	FLAT WASHER 3/4 SAE	4
10	055741	CHIME HOOK	1
11	240136	OPTIONAL BELT KIT	1



WEIGHT: 60 LBS.  
CAPACITY: 700 LBS.

THIS DRAWING IN ALL PARTICULARS IS WESCO INDUSTRIAL PRODUCTS INC. PROPERTY. ALL RIGHTS OF DESIGN, INVENTION OR USE OF ARE RESERVED.

PRINT ISSUED

FEB 27, 2009

WESCO MANUFACTURING  
ENGINEERING DEPARTMENT

10-25-12  
R W S  
APP  
REV. D  
UPDATED

EDN & DATE  
REVISIONS

WESCO INDUSTRIAL PRODUCTS INC.  
NORTH WALES PENNA. 19454

PART NAME ABT-12-SC-NB

DRAWN: RDS 02-13-09

CHECKED:

APP. ENGR.

TOLERANCE UNLESS OTHERWISE SPECIFIED

FRACTION 3 PLACE DECIMAL 2 PLACE DECIMAL

SCALE: 1" = 1"

± 1/64 ± .005 ± .01

ANGULAR ± 1-1/2" SHEET 1 OF 1

B- 240134

BREAK ALL SHARP EDGES AND REMOVE ALL BURRS

D