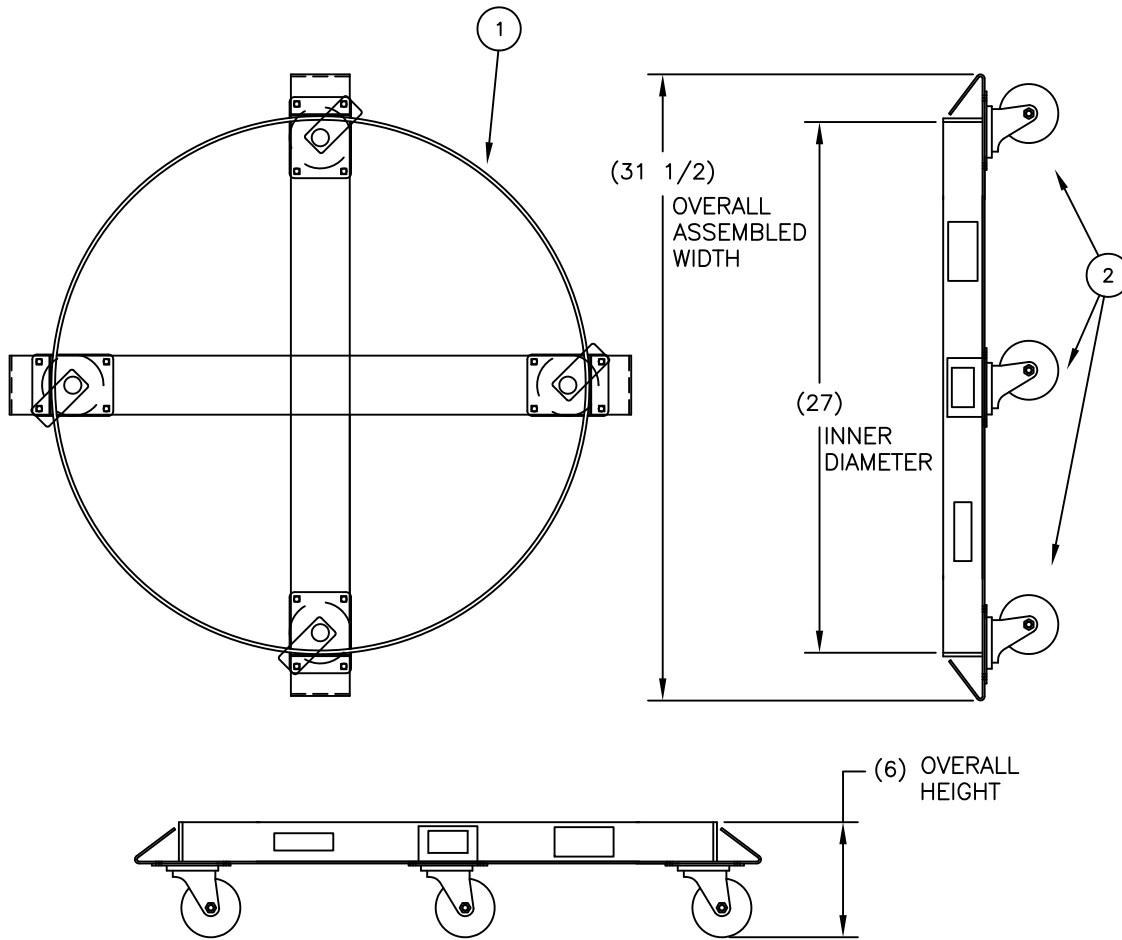


240089

REPLACEMENT PARTS LIST

1	053688	WELDMENT: DOLLY (D8)	1
2	055249	CASTER: SET 3" HR W/ ZINC RIG	1



STEEL DRUM DOLLIES

- Superior design places drum chime over caster kingpin for greater load stability and long cater life.
- All welded steel frame construction with reinforced outriggers.
- Four bolt on 3" swivel casters.
- I.D. varies among models.
- Model available for 30, 55, and 85 gallon drums.

P/N 240089

Model: D8-HR
 Capacity: 900 lbs
 Weight: 26 lbs
 Unit I.D.: 27"
 Drum size: 85 gal.
 Caster Type: Hard Rubber
 Box: Yes

THIS DRAWING IN ALL PARTICULARS IS WESCO INDUSTRIAL PRODUCTS INC. PROPERTY. ALL RIGHTS OF DESIGN, INVENTION OR USE OF ARE RESERVED.

<p>PRINT ISSUED</p> <div style="border: 1px solid black; padding: 5px; width: fit-content; margin: 0 auto;"> <p>NOV. 15, 2006</p> </div> <p>WESCO MANUFACTURING ENGINEERING DEPARTMENT</p>	R	W	S	APP	<p>REVISIONS</p>	<p>WESCO INDUSTRIAL PRODUCTS INC.</p> <p>NORTH WALES PENNA. 19454</p>										
	11-08-12	UPDATED PARTS LIST				ECN & DATE	<p>PART NAME</p> <p style="font-size: 1.2em;">D8-HR</p> <p>DRUM DOLLIES</p>			DRAWN:						
	C	REV.				REV.	<p>TOLERANCE UNLESS OTHERWISE SPECIFIED</p> <table style="width:100%; border-collapse: collapse;"> <tr> <td style="width:33%;">FRACTION</td> <td style="width:33%;">3 PLACE DECIMAL</td> <td style="width:33%;">2 PLACE DECIMAL</td> </tr> <tr> <td style="text-align: center;">± 1/64</td> <td style="text-align: center;">± .005</td> <td style="text-align: center;">± .01</td> </tr> </table> <p>ANGULAR ± 1-1/2" SHEET 1 OF 1</p> <p>BREAK ALL SHARP EDGES AND REMOVE ALL BURRS</p>			FRACTION	3 PLACE DECIMAL	2 PLACE DECIMAL	± 1/64	± .005	± .01	CHECKED:
	FRACTION	3 PLACE DECIMAL	2 PLACE DECIMAL													
± 1/64	± .005	± .01														
					SCALE: 1" = 8"	<p style="font-size: 1.5em;">A-240089</p>			APP. ENGR.							
					<p style="font-size: 1.5em;">A-240089</p>			REV	C							