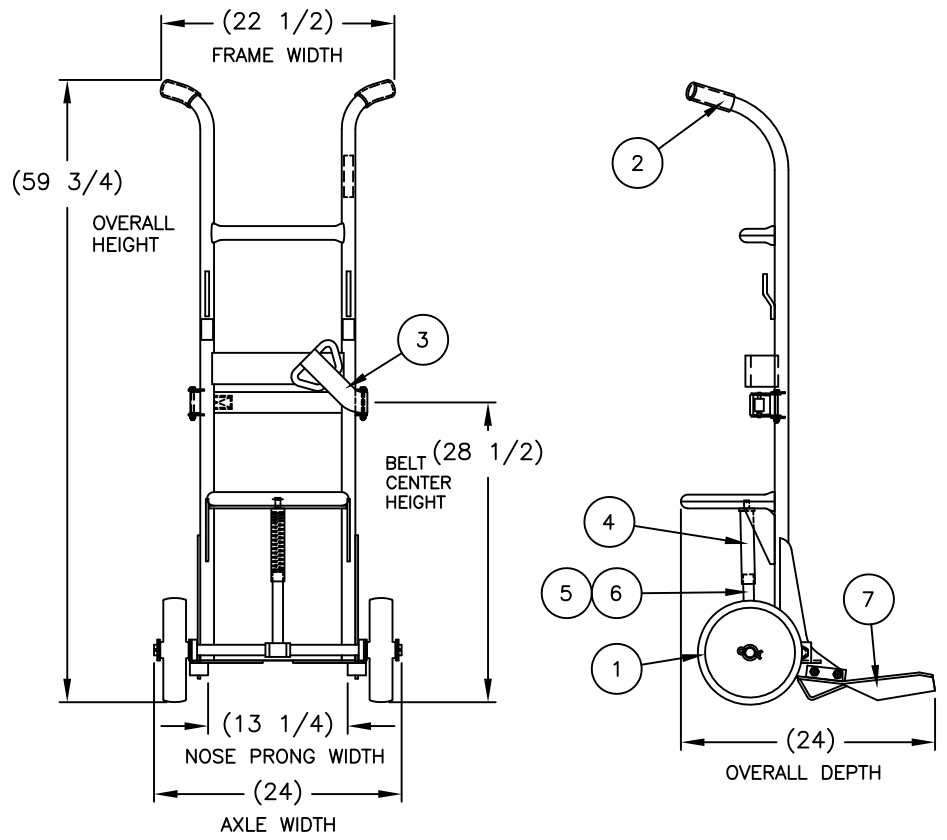


P/N **240077**
 Model: **45BTW**
 Capacity: 1,000 lbs
 Weight: 67 lbs
 Wheel: 10" x 2-1/4" Polyolefin

REPLACEMENT PARTS LIST

1	150691	WHEEL: 10 X 2-1/4" poly	2
	108208	WASHER: FLAT 1" SAE	4
	108218	COTTER PIN 3/16 X 1.5"	2
2	108433	HANDGRIP: YELLOW 1-1/4"	2
3	150304	STRAP: W/HANDLE, BLUE	1
	108900	SCR: HEX HD 1/4-20 x 3	2
	108929	NUT: LOCK 1/4-20	2
4	051346	UPPER SPRING HOUSING	1
5	051347	ASS'Y: FLOATING AXLE	1
6	051356	SET: HARDWARE, AXLE	1
7	240115	SET: NOSE PAD	1
8	-	BOX	



DRUM TRUCK Features:

- Industrial strength heavy duty 1" structural pipe frames.
- All joints double welded.
- High quality cast iron center moldon rubber wheel with 1" (ID) roller bearings.
- Polyolefin wheel is cost competitive and resistant to most environments that may damage rubber wheels.
- All trucks can be stored standing upright.
- Engineered to handle 55 gallon steel drum.
- capacity: 1,000 lbs.

45BT/45BTW Features:

- Long belt allows truck to handle all poly drums.
- Recommended primarily for handling of overpacks.
- Replaceable "feet" and belt.
- Floating axle reduces effort required to break over and balance load.
- 24" depth.
- With wheels resting on floor 28.5" to center of belt.

PRINT ISSUED

NOV. 10, 2006

WESCO MANUFACTURING
ENGINEERING DEPARTMENT

RWS
APP
10-22-12
B UPDATED
REV.

WESCO INDUSTRIAL PRODUCTS INC.
 NORTH WALES PENNA. 19454

PART NAME 45BTW DRUM TRUCKS		DRAWN: LDU 8-9-00
TOLERANCE UNLESS OTHERWISE SPECIFIED		CHECKED:
FRACTION	3 PLACE DECIMAL	2 PLACE DECIMAL
± 1/64	± .005	± .01
ANGULAR ± 1-1/2'	SHEET 1	OF 1
BREAK ALL SHARP EDGES AND REMOVE ALL BURRS		SCALE: 1" = 12"
B- 240077		REV B