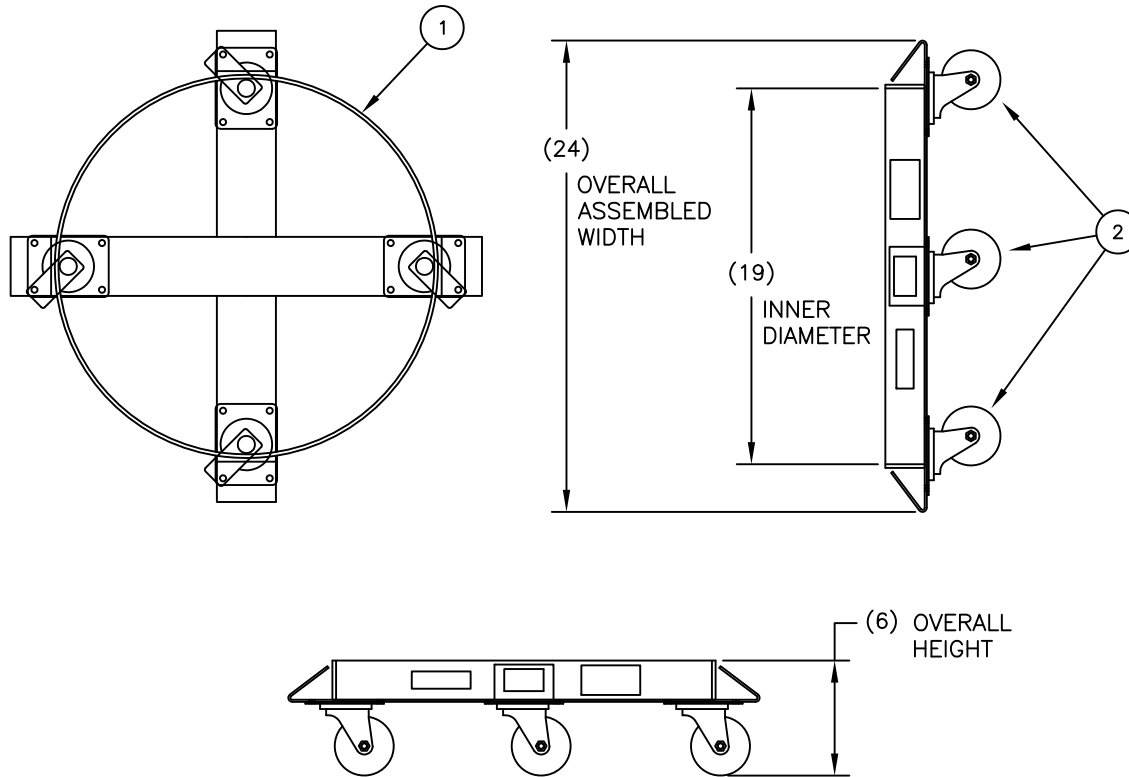


240029

REPLACEMENT PARTS LIST

1	053384	WELDMENT: DOLLY (D3)	1
2	055249	CASTER: SET 3" HR W/ ZINC RIG	1



STEEL DRUM DOLLIES

- Superior design places drum chime over caster kingpin for greater load stability and long cater life.
- All welded steel frame construction with reinforced outriggers.
- Four bolt on 3" swivel casters.
- I.D. varies among models.
- Model available for 30, 55, and 85 gallon drums.

P/N 240029

Model: D3-HR
 Capacity: 900 lbs
 Weight: 18 lbs
 Unit I.D.: 19"
 Drum size: 30 gal.
 Caster Type: Hard Rubber
 Box: Yes

THIS DRAWING IN ALL PARTICULARS IS WESCO INDUSTRIAL PRODUCTS INC. PROPERTY. ALL RIGHTS OF DESIGN, INVENTION OR USE OF ARE RESERVED.

<p>PRINT ISSUED</p> <p>NOV. 15, 2006</p> <p>WESCO MANUFACTURING ENGINEERING DEPARTMENT</p>	R W S	APP	<p>WESCO INDUSTRIAL PRODUCTS INC.</p> <p>NORTH WALES PENNA. 19454</p>								
	11-08-12				<p>PART NAME</p> <p>D3-HR</p> <p>DRUM DOLLIES</p> <p>TOLERANCE UNLESS OTHERWISE SPECIFIED</p> <table border="1"> <tr> <td>FRACTION</td> <td>3 PLACE DECIMAL</td> <td>2 PLACE DECIMAL</td> </tr> <tr> <td>± 1/64</td> <td>± .005</td> <td>± .01</td> </tr> <tr> <td>ANGULAR ± 1-1/2"</td> <td>SHEET 1</td> <td>OF 1</td> </tr> </table> <p>BREAK ALL SHARP EDGES AND REMOVE ALL BURRS</p>	FRACTION	3 PLACE DECIMAL	2 PLACE DECIMAL	± 1/64	± .005	± .01
FRACTION	3 PLACE DECIMAL	2 PLACE DECIMAL									
± 1/64	± .005	± .01									
ANGULAR ± 1-1/2"	SHEET 1	OF 1									
	UPDATED PARTS LIST	ECN & DATE	REVISIONS	<p>DRAWN:</p> <p>CHECKED:</p> <p>APP. ENGR.</p> <p>SCALE: 1" = 8"</p>							
	C	REV.		<p>A-240029</p> <p>REV C</p>							