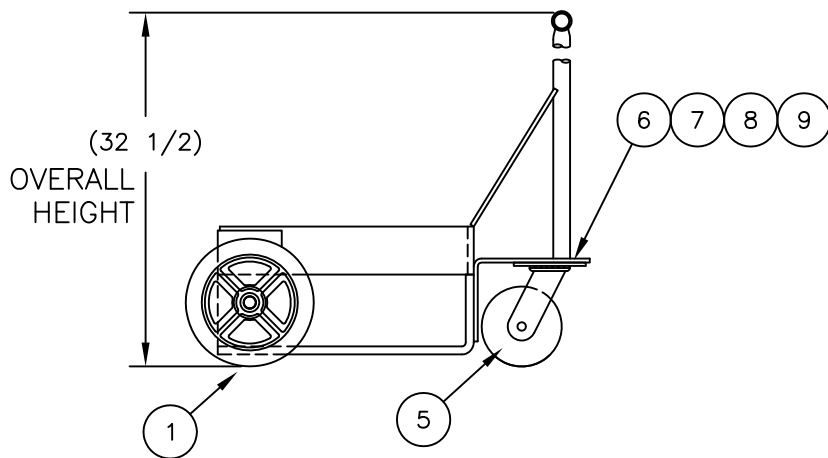
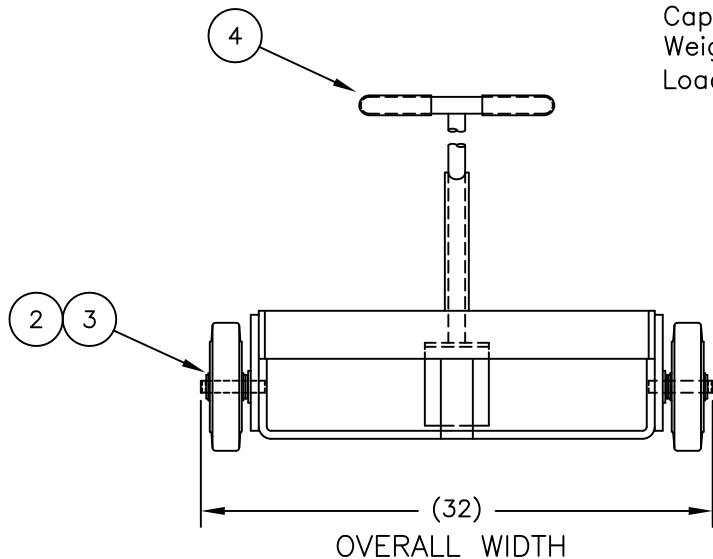


P/N 240015

Model: 500BT
 Capacity: 1,000 lbs
 Weight: 70 lbs
 Load Wheels: 8" x 2" (2)
 Moldon Rubber w/roller bearing

REPLACEMENT PARTS LIST

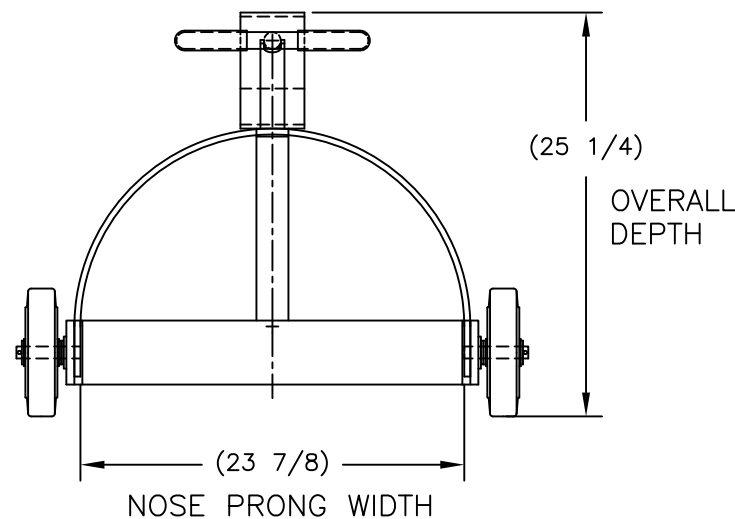
1	150120	WHEEL: "HB" (8 X 2")	2
2	108204	WASHER: FLAT 3/4 SAE	6
3	108218	PIN: COTTER (3/16x1-1/2")	2
4	108226	HANDGRIP: 1" BLACK	2
5	054250	CASTER: SWIV. 5X2 POLYOLEFIN	1
6	100642	NUT: HEX (PLTD) 3/8-16	4
7	108201	WASHER: FLAT (PLTD) 3/8" USS	4
8	100217	WASHER: LOCK (PLTD) 3/8"	4
9	100216	SCR: HEX HD CAP (PLTD) 3/8-16X1"	4



SPILL-LESS OPEN DRUM TRUCK

Features:

- Transport drums in a vertical position.
- Handles 55 gallon drums.
- Heavy duty 5" x 2" polyolefin caster with roller bearings.
- All welded construction.
- Distance from the Front Plate to the floor is 3/4"



THIS DRAWING IN ALL PARTICULARS IS WESCO INDUSTRIAL PRODUCTS INC. PROPERTY. ALL RIGHTS OF DESIGN, INVENTION OR USE OF ARE RESERVED.

PRINT ISSUED

NOV. 15, 2006

WESCO MANUFACTURING
 ENGINEERING DEPARTMENT

R	W	S	AP
11-09-12			
B	UPDATED		
REV.	EDN & DATE	REVISIONS	

WESCO INDUSTRIAL PRODUCTS INC. NORTH WALES PENNA. 19454	
PART NAME	500BT OPEN DRUM TRUCK
DRAWN	LDU 6-15-99
CHECKED:	
APP. ENGR.	
TOLERANCE UNLESS OTHERWISE SPECIFIED FRACTION 3 PLACE DECIMAL 2 PLACE DECIMAL ± 1/64 ± .005 ± .01 ANGULAR ± 1-1/2° SHEET 1 OF 1 BREAK ALL SHARP EDGES AND REMOVE ALL BURRS	
SCALE: 1" = 6"	C- 240015 REV B