

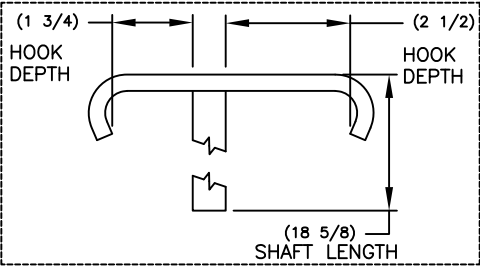
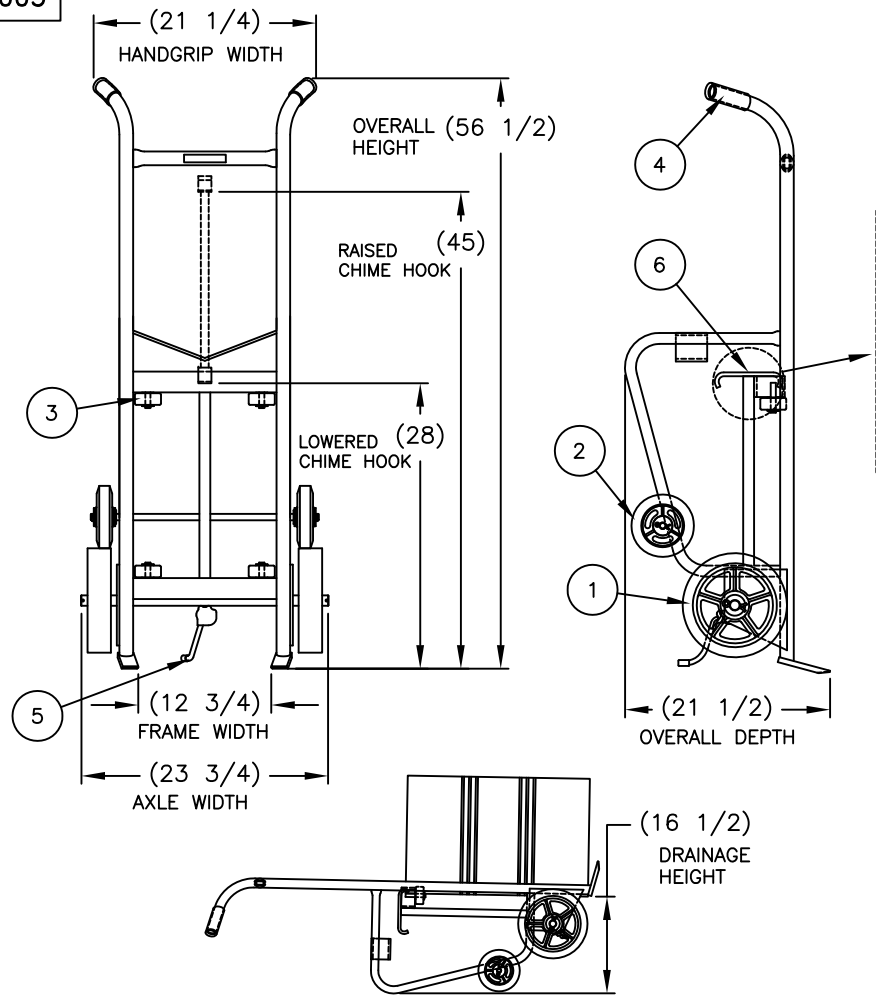
240005

P/N 240005

Model: 30BT
 Capacity: 1,000 lbs
 Weight: 82 lbs
 Wheel: 10" x 2-1/2"
 Moldon Rubber

REPLACEMENT PARTS LIST

1	150596	WHEEL: "BT-1" 10 X 2.5"	2
	108208	WASHER: FLAT 1" SAE	6
	108218	COTTER PIN 3/16 X 1.5"	2
2	108839	WHEEL: 6 1-1/2"	2
	100051	FLAT WASHER 5/8 SAE	4
	108219	COTTER PIN 5/32 X 1	2
3	150103	WHEEL: 2.5 X 1-1/8"	4
	108200	FLAT WASHER 1/2 SAE	4
	150867	NUT: ROUND 1/2 (PLTD)	4
4	108433	HANDGRIP: YELLOW 1-1/4"	2
5	109632	KICKSTAND (15/30BT)	1
6	050187	DRUM HOOK	1
7	-	BOX	



DRUM TRUCK Features:

- Industrial strength heavy duty 1" structural pipe frames.
- All joints double welded.
- High quality cast iron center moldon rubber wheel with 1" (ID) roller bearings.
- Polyolefin wheel is cost competitive and resistant to most environments that may damage rubber wheels.
- All trucks can be stored standing upright.
- Engineered to handle 55 gallon steel drum.
- capacity: 1,000 lbs.

30BT/30BTW DELUXE Features:

- Multi-functional drum truck allows you to move drums on four wheels and acts as a drum cradle for storage or dispensing.
- Frame clearance for dispensing into 5 gallon pails.
- Polyolefin rollers allow for easy faucet positioning of drums.
- Rear axle allows for loading and unloading of drums from pallets.
- Kickstand
- 16.5" drain height.
- with wheels resting on floor 27" to center of lowered chime hook.

PRINT ISSUED

NOV. 10, 2006

WESCO MANUFACTURING
 ENGINEERING DEPARTMENT

R W S
 10-22-12
 APP
 REV. E
 UPDATED

WESCO INDUSTRIAL PRODUCTS INC.
 NORTH WALES PENNA. 19454

PART NAME		30BT DRUM TRUCKS	
TOLERANCE UNLESS OTHERWISE SPECIFIED			
FRACTION	3 PLACE DECIMAL	2 PLACE DECIMAL	
± 1/64	± .005	± .01	
ANGULAR ± 1-1/2"	SHEET 1	OF 1	
BREAK ALL SHARP EDGES AND REMOVE ALL BURRS			

DRAWN: LDU 8-9-00
CHECKED:
APP. ENGR.
SCALE: 1" = 12"
B- 240005
REV. E