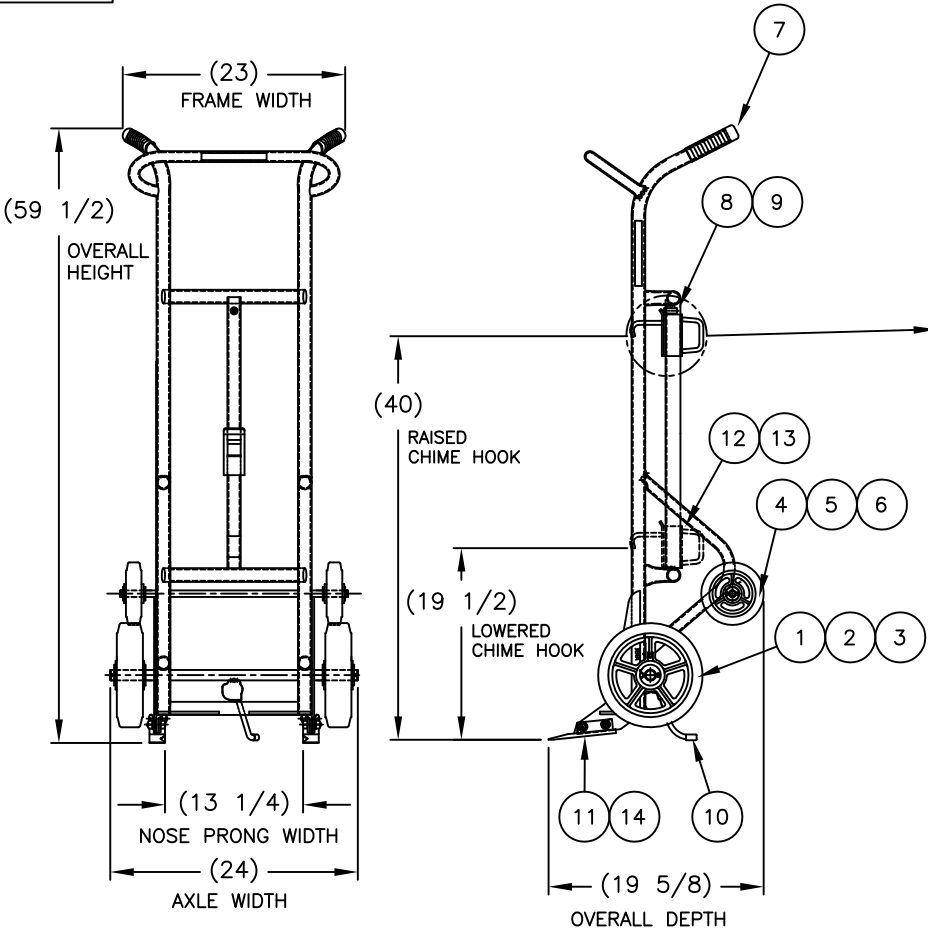
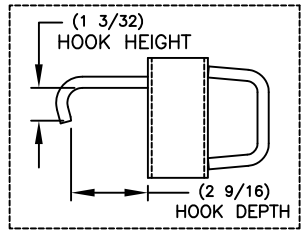


240001



**P/N 240001**  
 Model: 15BT  
 Capacity: 1,000 lbs  
 Weight: 79 lbs  
 Wheel: 10" x 2-1/2"  
 Moldon Rubber



**DRUM TRUCK Features:**

- Industrial strength heavy duty 1" structural pipe frames.
- All joints double welded.
- High quality cast iron center moldon rubber wheel with 1" (ID) roller bearings.
- Polyolefin wheel is cost competitive and resistant to most environments that may damage rubber wheels.
- All trucks can be stored standing upright.
- Engineered to handle 55 gallon steel drum.
- capacity: 1,000 lbs.

**15BT/15BTW Features:**

- Four wheel design enables user to quickly and easily load and unload drums from pallet.
- Rear 6" wheels stabilize load for effortless transport.
- 15BT, Cast iron center moldon rubber front and rear wheels on
- 15BTW, Polyolefin front and rear wheels
- Replaceable hard faced double-beveled nose prongs.
- Self-storing chime hook.
- Kickstand
- 16.25 at nose
- With wheels resting on floor, 20.5" to center of lowered chime hook.

**REPLACEMENT PARTS LIST**

1	150596	WHEEL: "BT-1" 10 X 2.5"	2
2	108208	WASHER: FLAT 1" SAE	4
3	108218	COTTER PIN 3/16 X 1.5"	2
4	108839	WHEEL: 6 X 1-1/2"	2
5	100051	WASHER: FLAT 5/8" SAE	4
6	108219	COTTER PIN 5/32 X 1"	2
7	108433	HANDGRIP: YELLOW 1-1/4"	2
8	105312	BALL PLUNGER	1
9	150018	RETAINER: TOOTHLESS	1
10	109632	KICKSTAND (15/30BT)	1
11	240060	SET: NOSE PRONG	1
12	051348	DRUM HOOK (15/20BT)	1
13	051354	ASS'Y: RET'NER SPRING PIN USED TILL 08-08-03	1
14	051355	SET: HARDWARE, NOSE PRONG	1

**PRINT ISSUED**  
 NOV. 10, 2006  
 WESCO MANUFACTURING  
 ENGINEERING DEPARTMENT

REV. J  
 10-22-12  
 UPDATED  
 ECN & DATE  
 REVISIONS  
 APP. W.S.

**WESCO INDUSTRIAL PRODUCTS INC.**  
 NORTH WALES PENNA. 19454

PART NAME <b>15BT DRUM TRUCKS</b>		DRAWN: LDU 8-9-00
TOLERANCE UNLESS OTHERWISE SPECIFIED		CHECKED:
FRACTION	3 PLACE DECIMAL	2 PLACE DECIMAL
± 1/64	± .005	± .01
ANGULAR ± 1-1/2"	SHEET 1	OF 1
BREAK ALL SHARP EDGES AND REMOVE ALL BURRS		SCALE: 1" = 12"
B- 240001		REV. J