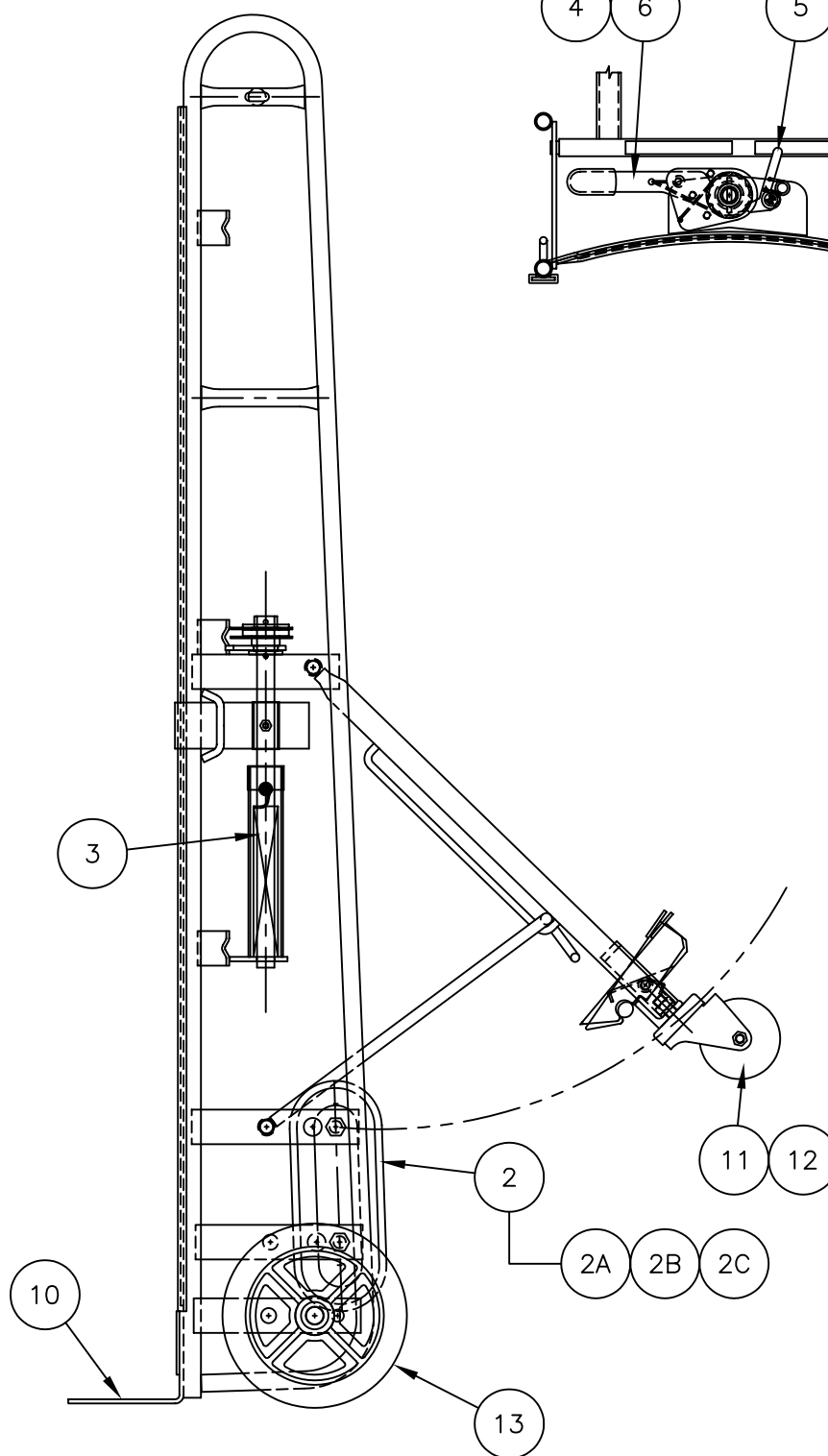
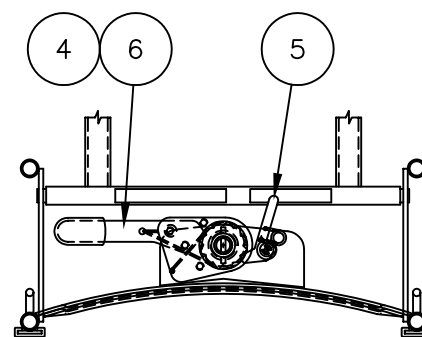
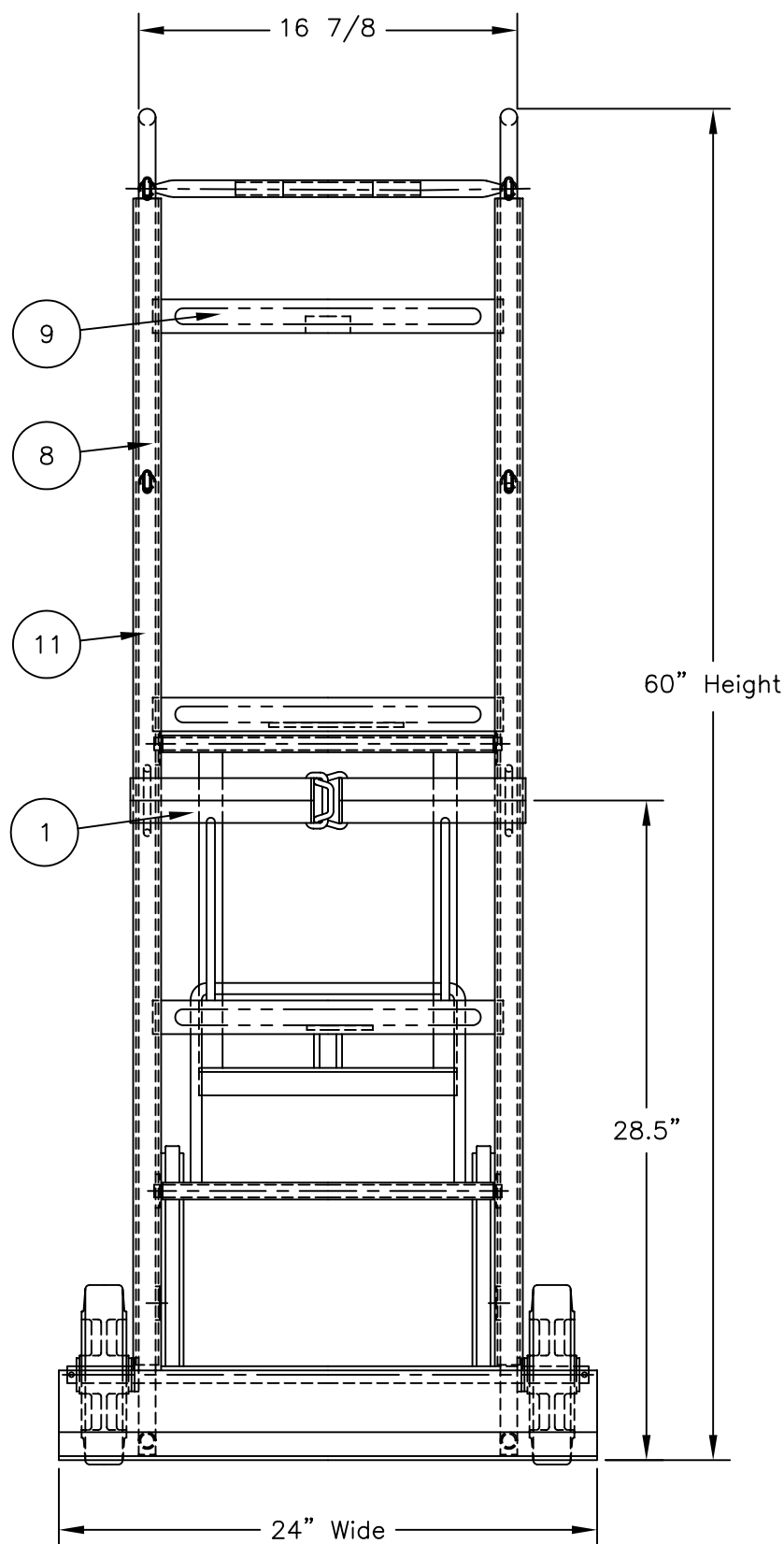


REPLACEMENT PARTS LIST

1		053335	BELT EC RATCHET MODEL	1
2		150013	STAIR CLIMBER	2
	2A	108229	V-BELT	1
	2B	150014	SIDE PLATE	2
	2C	150017	BEARINGS	44
3		052912	RATCHET (MANUAL) WRV	1
4		052001	ASS'Y: RATCHET HANDLE	1
5		230050	ASS'Y: HOLDING DOG	1
6		151250	HANDLE SPRING	1
7		-	NOT USED	-
8		108453	RUBBER: CHANNEL EXTR.	2
9		109689	RUBBER: CROSS BRACE	3
10		050414	NOSE PLATE (STL. VENDING)	1
11		108457	CASTER: SWIV. 3-1/2" DIA	2
12		108455	SPRING: MUSIC WIRE .035	2
13		150120	WHEEL: "HB" 8 X 2	2



HEAVY DUTY STEEL APPLIANCE/VENDING

Features:

- Welded frame and handles for maximum strength.
- Non-Marking gray vinyl on all contact surfaces securely mounted to truck.
- Bolted holding dog assembly for easy interchange of parts.
- 2" wide heavy duty web belt is standard on all models.
- WESCO continuous belt stair climbers standard on all models.
- Various belt tightener options to meet your moving needs.

STEEL VENDING MACHINE TRUCK

- Retractable moldon rubber casters (3.5" diameter) help support load.
- Heavy duty 8" cast iron center moldon rubber wheels w/roller bearings.
- Available with "Auto-Rewind" or "Economy" belt tightening systems.
- 28.5" from noseplate to center of belt.

\*\* Improved kick-out design allows operator to kick-out wheels with both hands on the truck.

MANUAL RATCHET:

Model: **WRV-60-EC**  
 Capacity: 1,200 lbs  
 Belt: one piece  
 Weight: 83 lbs  
 Boxed: **No**  
 HxWxD: 60" x 24" x 14.5"

THIS DRAWING IN ALL PARTICULARS IS WESCO MFOR. CO. PROPERTY. ALL RIGHTS OF DESIGN, INVENTION OR USE OF ARE RESERVED.

PRINT ISSUED  
 NOV 08, 2006  
 WESCO MANUFACTURING  
 ENGINEERING DEPARTMENT

<b>WESCO MANUFACTURING CO.</b> LANSDALE PENNA. 19446	
PART NAME <b>WRV-60-EC</b> <b>STEEL VENDING MACHINE TRUCK</b>	DRAWN: DATE: CHECKED:
TOLERANCE UNLESS OTHERWISE SPECIFIED FRACTION 3 PLACE DECIMAL 2 PLACE DECIMAL ± 1/64 ± .005 ± .01 ANGULAR ± 1-1/2° SHEET 1 OF 1	SCALE: 1" = 4" <b>D- 230035</b>