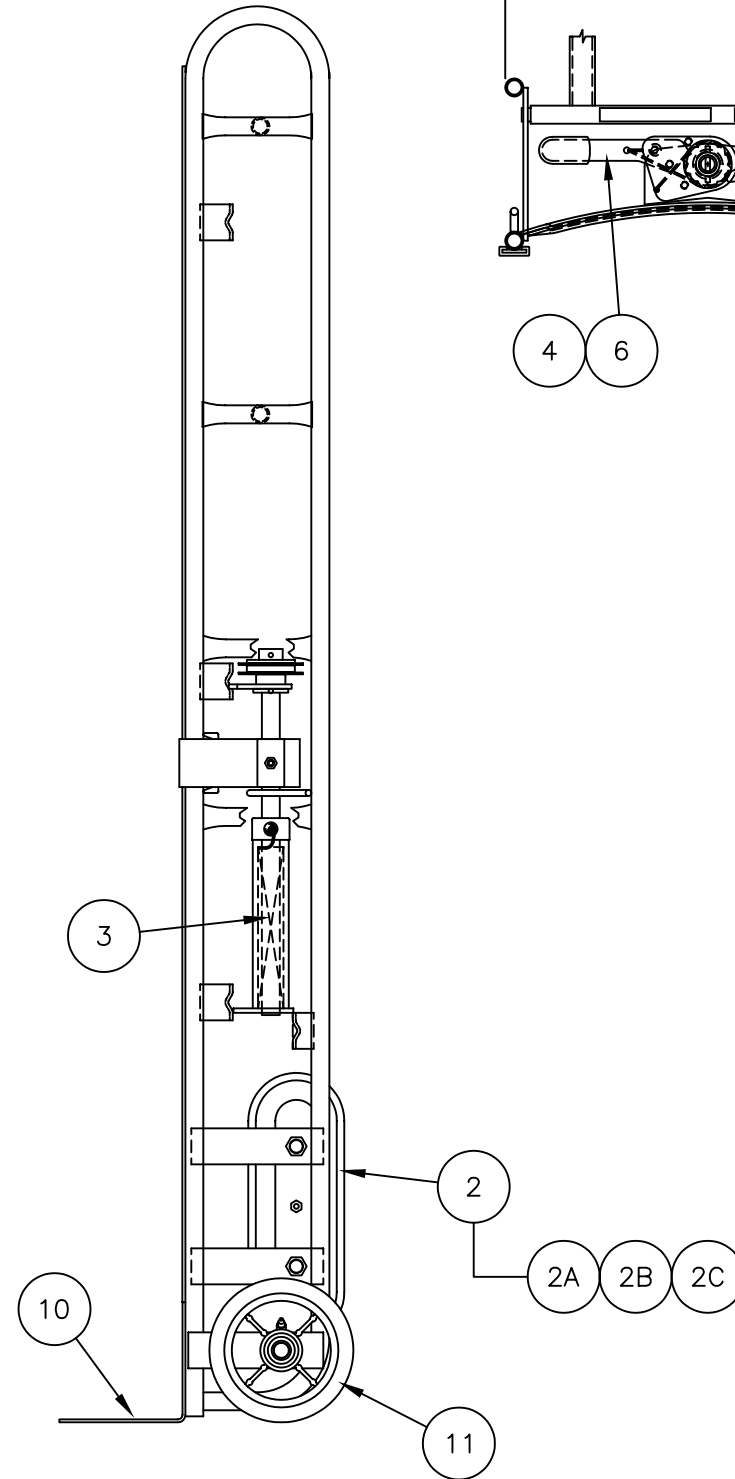
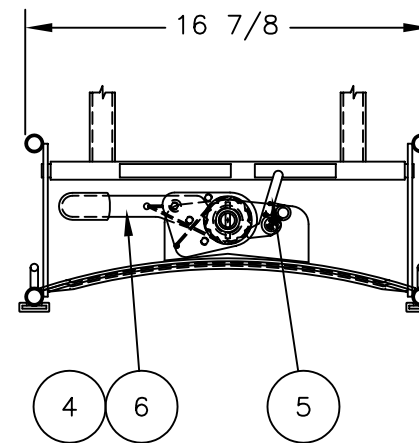
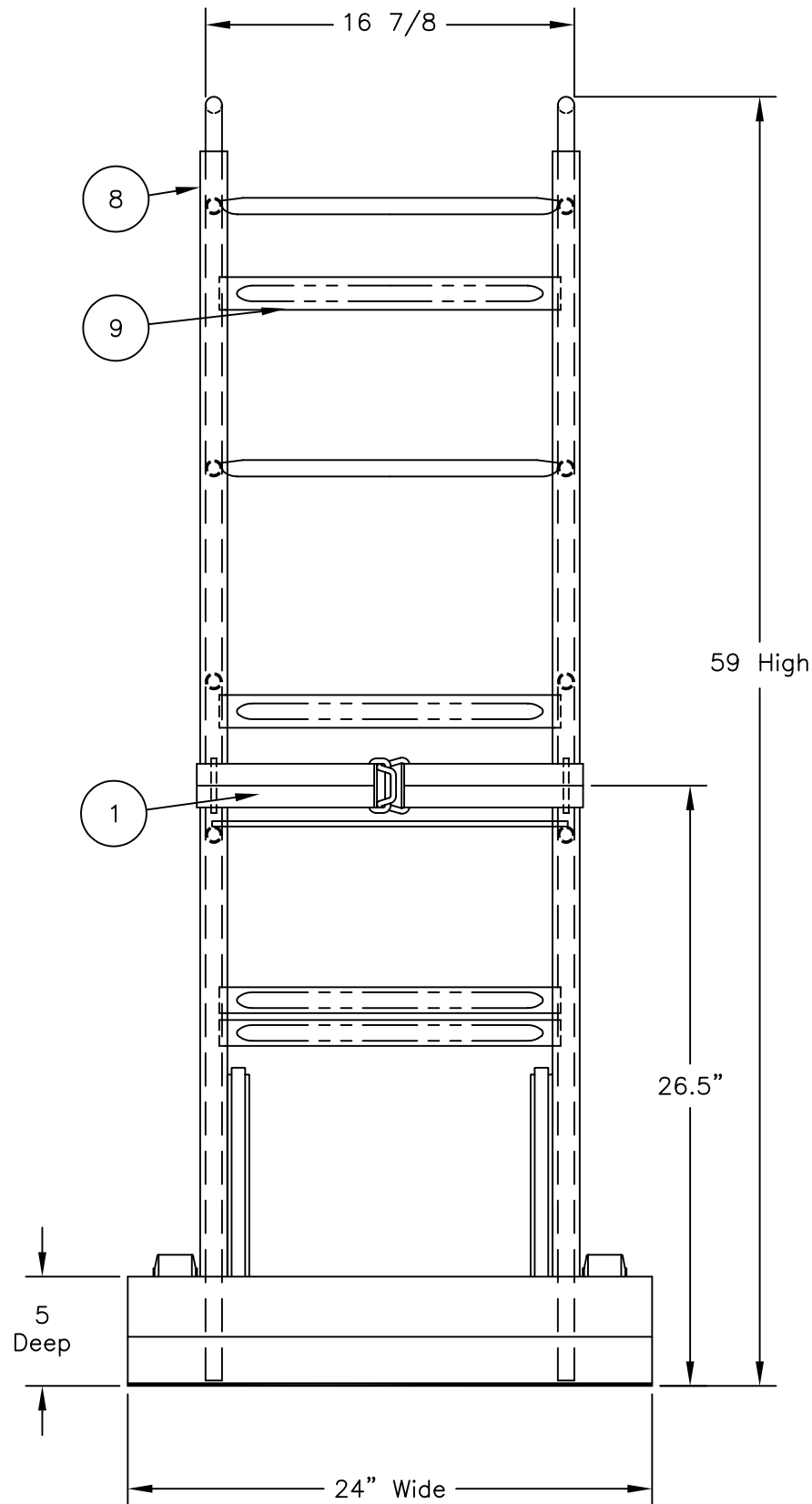


REPLACEMENT PARTS LIST

1		053335	BELT EC MODEL	1
2		150013	STAIR CLIMBER	2
	2A	108229	V-BELT	1
	2B	150014	SIDE PLATE	2
	2C	150017	BEARINGS	44
3		052912	RATCHET (MANUAL) WRC	1
4		052001	ASS'Y: RATCHET HANDLE	1
5		230050	ASS'Y: HOLDING DOG	1
6		151250	HANDLE SPRING	1
7		-	NOT USED	-
8		108453	RUBBER: CHANNEL EXTR.	2
9		109689	RUBBER: CROSS BRACE	3
10		050378	NOSE PLATE (STL. APPL.)	1
11		050567	WHEEL: "A" 6 X 2	2



HEAVY DUTY STEEL APPLIANCE/VENDING

Features:

- Welded frame and handles for maximum strength.
- Non-Marking gray vinyl on all contact surfaces securely mounted to truck.
- Bolted holding dog assembly for easy interchange of parts.
- 2" wide heavy duty web belt is standard on all models.
- WESCO continuous belt stair climbers standard on all models.
- Various belt tightener options to meet your moving needs.

STEEL APPLIANCE TRUCKS

- All joints double welded for maximum durability.
- Rugged tubular steel construction.
- Available with Auto-Rewind, Manual, or Eccentric belt tightening systems.
- Aluminum center moldon rubber wheels with .625" ball bearings.
- 750 LB capacity
- 26.5" from noseplate to center of belt.

MANUAL RATCHET

Model: WRC-EC
 Capacity: 750 lbs
 Belt: 2 piece w/clasp
 Weight: 52 lbs
 Boxed: No

THIS DRAWING IN ALL PARTICULARS IS WESCO MFG. CO. PROPERTY. ALL RIGHTS OF DESIGN, INVENTION OR USE OF ARE RESERVED.

PRINT ISSUED
 NOV 08, 2006
 WESCO MANUFACTURING
 ENGINEERING DEPARTMENT

WESCO MANUFACTURING CO. LANSDALE PENNA. 19446	
PART NAME WRC-EC STEEL APPLIANCE TRUCK	DRAWN: DATE: CHECKED:
TOLERANCE UNLESS OTHERWISE SPECIFIED FRACTION 3 PLACE DECIMAL 2 PLACE DECIMAL ± 1/64 ± .005 ± .01 ANGULAR ± 1-1/2° SHEET 1 OF 1	
SCALE: 1" = 4"	D- 230028