

230020

REPLACEMENT PARTS LIST

1	053336	BELT W/BUCKLE (L-1)	1
2	108484	WHEEL: "P12" 12 X 4	2
3	108460	RUBBER CHANNELS	2
4	050511	NOSEPLATE: (N-L/L-1/L-2)	1

HEAVY DUTY STEEL APPLIANCE/VENDING

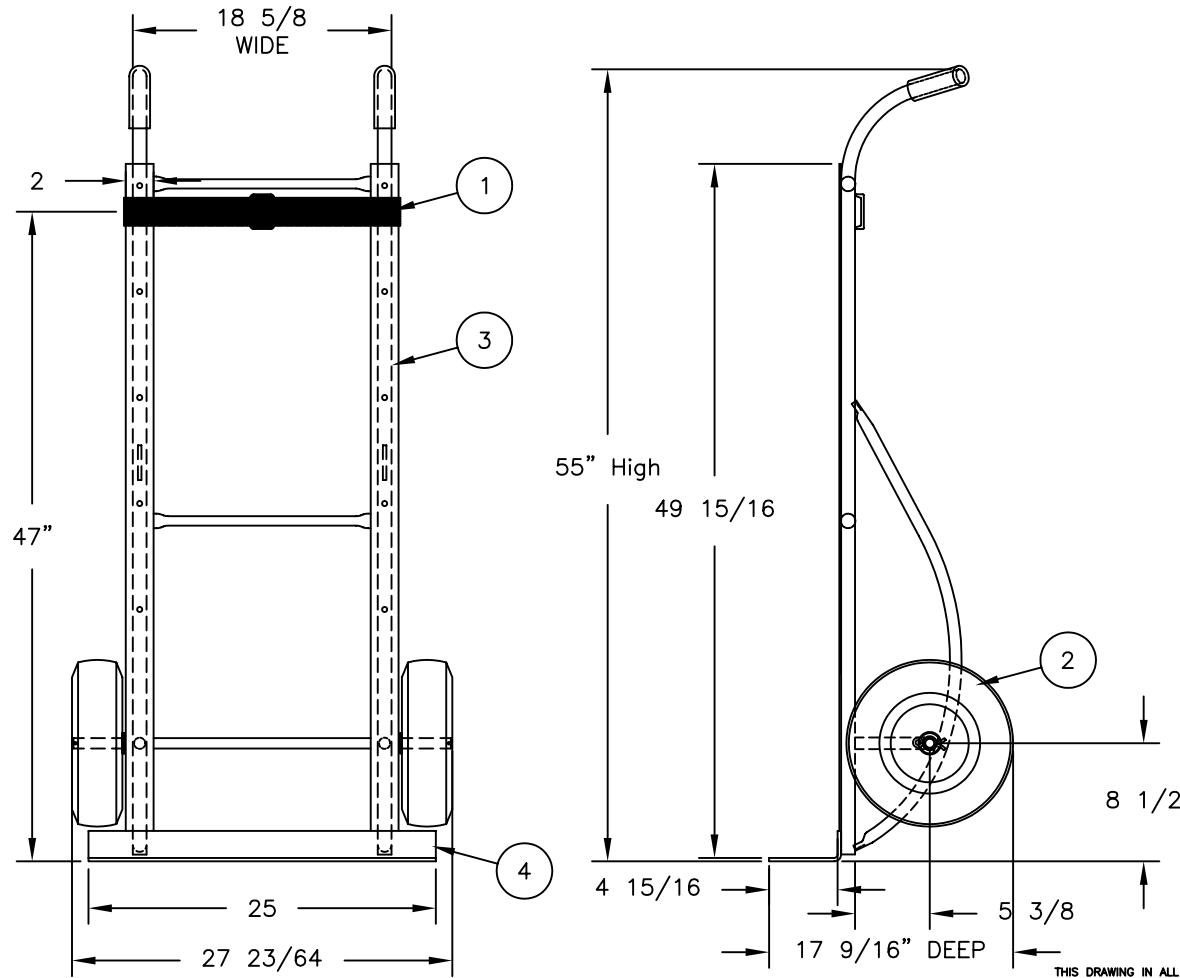
Features:

- Welded frame and handles for maximum strength.
- Non-Marking gray vinyl on all contact surfaces securely mounted to truck.
- Bolted holding dog assembly for easy interchange of parts.
- 2" wide heavy duty web belt is standard on all models.
- WESCO continuous belt stair climbers standard on all models.
- Various belt tightener options to meet your moving needs.

STEEL VENDING TRUCK

- Dual handle control.
- Large pneumatic wheels for rough terrain.
- Welded steel frame.
- One piece belt
- 47" from noseplate to center of belt.

Model: L-1
 Capacity: 700 lbs
 Ratchet: None
 Belt: one piece
 Height: 55" High
 Weight: 62 lbs
 Boxed: No



THIS DRAWING IN ALL PARTICULARS IS WESCO INDUSTRIAL PRODUCTS INC. PROPERTY. ALL RIGHTS OF DESIGN, INVENTION OR USE OF ARE RESERVED.

PRINT ISSUED

NOV 07, 2006

WESCO MANUFACTURING
 ENGINEERING DEPARTMENT

REV.	ECN & DATE	REVISIONS	APP		
			WESCO INDUSTRIAL PRODUCTS INC. LANSDALE PENNA. 19446		
			PART NAME L-1 STEEL VENDING TRUCK		
			DRAWN: CHECKED: APP. ENGR.		
TOLERANCE UNLESS OTHERWISE SPECIFIED			SCALE: 1" = 9"		
FRACTION		3 PLACE DECIMAL	2 PLACE DECIMAL		
± 1/64		± .005	± .01		
ANGULAR ± 1-1/2°		SHEET 1 OF 1	B-230020 REV		
BREAK ALL SHARP EDGES AND REMOVE ALL BURRS					