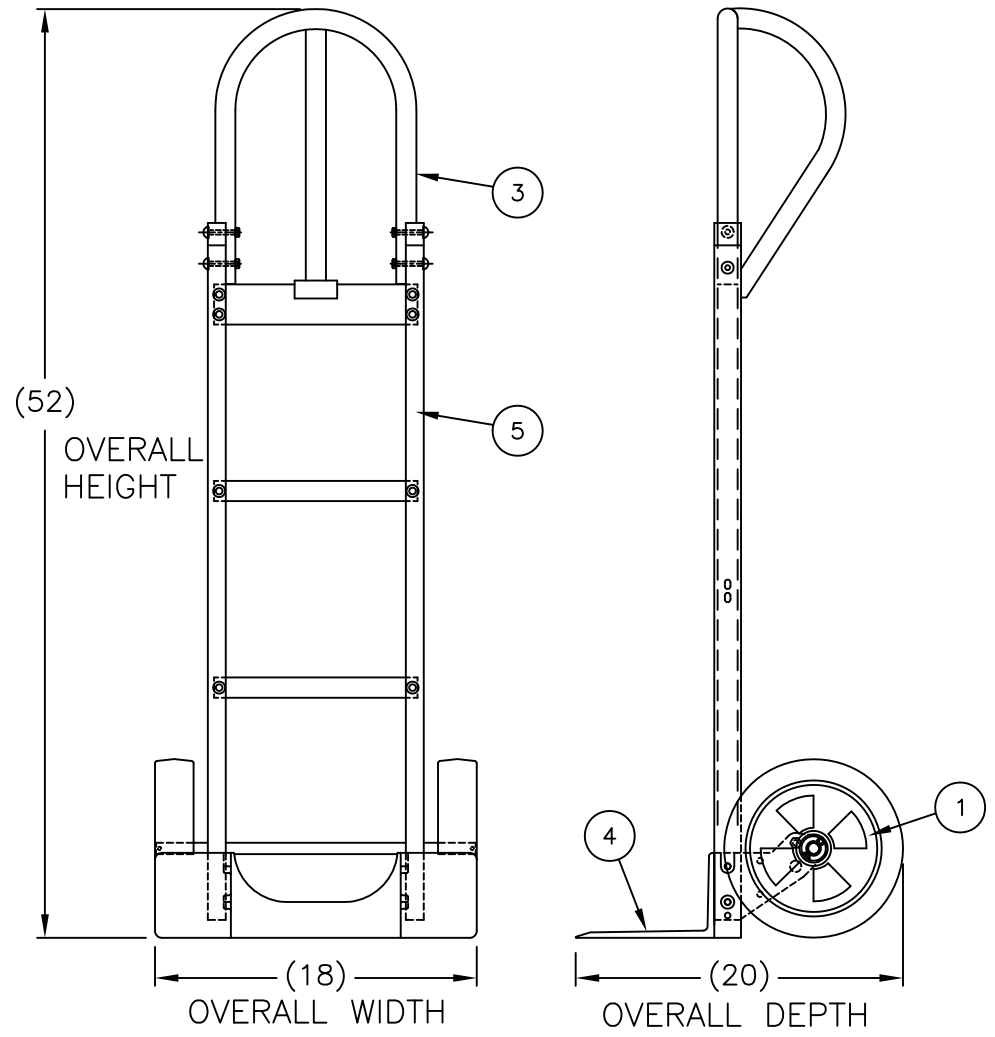


220569



REPLACEMENT PARTS LIST			
ITEM	PART NO.	DESCRIPTION	QTY.
1	270274	KIT: WHEEL "BC10" WESCO-LITE	1
* 2	108990	BOX: 40-1/2" X 13 X 10	1
3	151510	HANDLE: "D"	1
4	151533	NOSEPLATE (18")	1
5	153855	KIT: STRAIGHT FRAME #0	1

COBRA-LITE FEATURES:

- All aluminum construction.
- Heavy duty cast 7.5" X 14" or 7.5" X 18" wide nose plate options.
- Quality light weight truck at an economical price.
- Ships KD and boxed or as components
- Assembly option available.
- All 2" wide cross braces for additional strength. Great for advertising label.

Series 470 Features:

- High back loop handle.
- 52" overall height.

P/N 220569

Model 470-T18-BC10
 Weight 23 lbs
 Capacity 600 lbs
 Box No
 Wheel 10" x 2.165"
 Type Balloon Cushion
 Hub Poly Offset

THIS DRAWING IN ALL PARTICULARS IS WESCO MFRG. CO. PROPERTY. ALL RIGHTS OF DESIGN, INVENTION OR USE OF ARE RESERVED.

PRINT ISSUED
 APR 19, 2006
 WESCO MANUFACTURING
 ENGINEERING DEPARTMENT

R	W	S	APP
02-07-13	UPDATED		
A	REV.	EN & DATE	REVISIONS

WESCO MANUFACTURING CO.		NORTH WALES PENNA. 19454	
PART NAME		DRAWN:	
470-T18-BC10 (COBRA-LITE)		CHECKED:	
TOLERANCE UNLESS OTHERWISE SPECIFIED		APP. ENGR.	
FRACTION	3 PLACE DECIMAL	2 PLACE DECIMAL	SCALE: 7" = 1"
± 1/64	± .005	± .01	
ANGULAR ± 1-1/2'	SHEET 1 OF 1		
BREAK ALL SHARP EDGES AND REMOVE ALL BURRS			B-220569 REV A