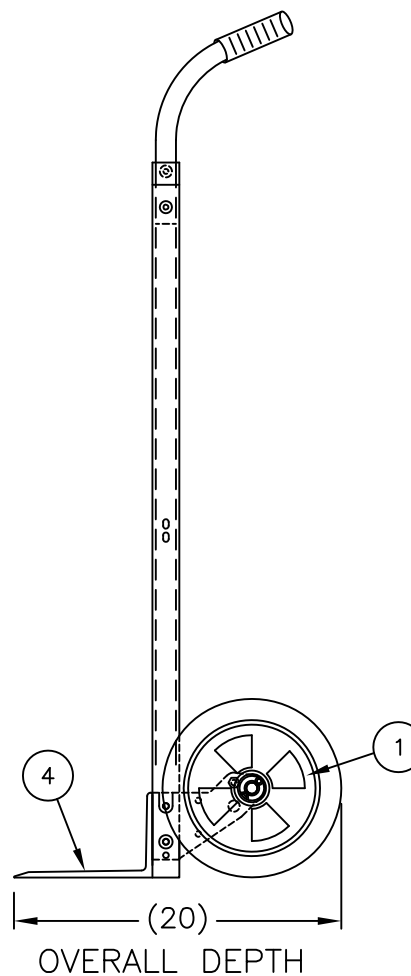
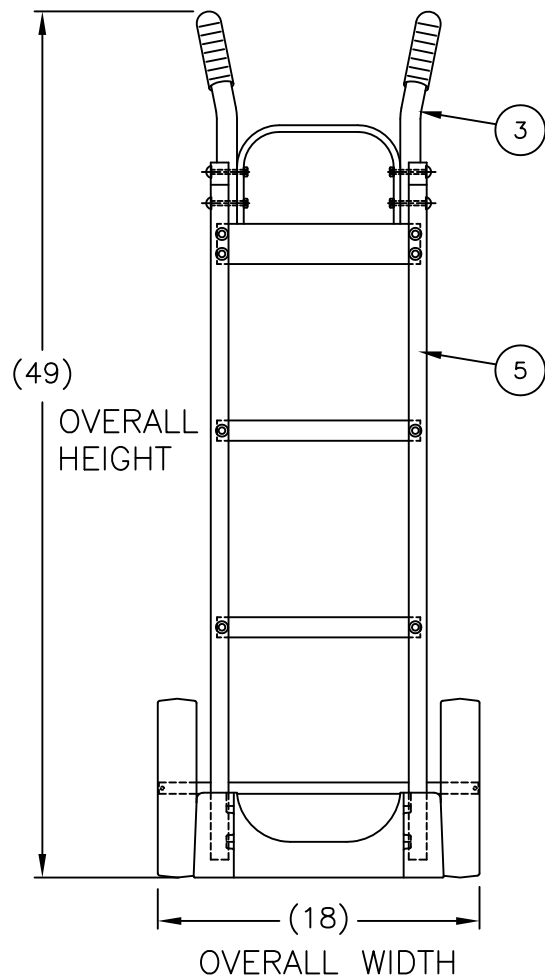


220566



## REPLACEMENT PARTS LIST

ITEM	PART NO.	DESCRIPTION	QTY.
1	270274	KIT: WHEEL "BC10" WESCO-LITE	1
* 2	108990	BOX: 40-1/2" X 13 X 10	1
3	151525	HANDLE: TWIN	1
4	151521	NOSEPLATE (14")	1
5	153855	KIT: STRAIGHT FRAME #0	1

## COBRA-LITE FEATURES:

- All aluminum construction.
- Heavy duty cast 7.5" X 14" or 7.5" X 18" wide nose plate options.
- Quality light weight truck at an economical price.
- Ships KD and boxed or as components
- Assembly option available.
- All 2" wide cross braces for additional strength.
- Great for advertising label.

## Series 450 Features:

- Twin handle style with vinyl grips.
- 49" overall height.

P/N 220566

Model 450-T14-BC10  
 Weight 23 lbs  
 Capacity 600 lbs  
 Box No  
 Wheel 10" x 2.165"  
 Type Balloon Cushion  
 Hub Poly Offset

THIS DRAWING IN ALL PARTICULARS IS WESCO MFG. CO. PROPERTY. ALL RIGHTS OF DESIGN, INVENTION OR USE OF ARE RESERVED.

PRINT ISSUED

APR 19, 2006

WESCO MANUFACTURING  
ENGINEERING DEPARTMENT

R W S APP  
 02-07-13  
 A UPDATED

REV. EGN & DATE REVISIONS

WESCO MANUFACTURING CO.  
 NORTH WALES PENNA. 19454

PART NAME  
 450-T14-BC10  
 (COBRA-LITE)

DRAWN:

CHECKED:

APP. ENGR.

TOLERANCE UNLESS OTHERWISE SPECIFIED

FRACTION	3 PLACE DECIMAL	2 PLACE DECIMAL
± 1/64	± .005	± .01

ANGULAR ± 1-1/2"	SHEET 1 OF 1

SCALE: 7" = 1"

B-220566

REV A

BREAK ALL SHARP EDGES AND REMOVE ALL BURRS