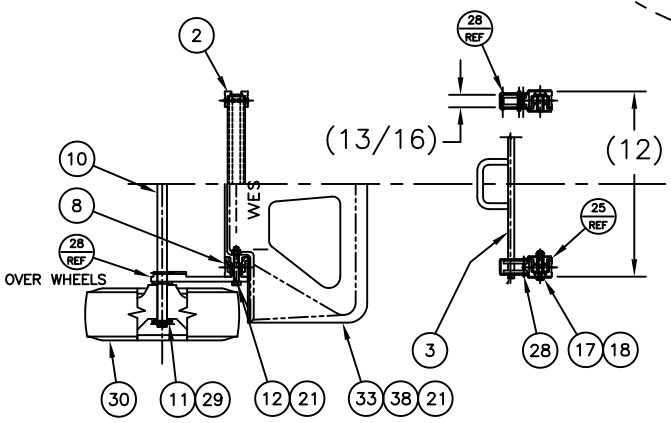
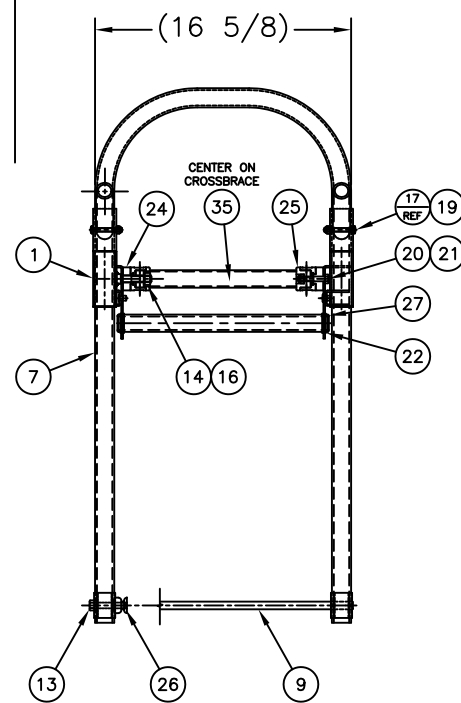
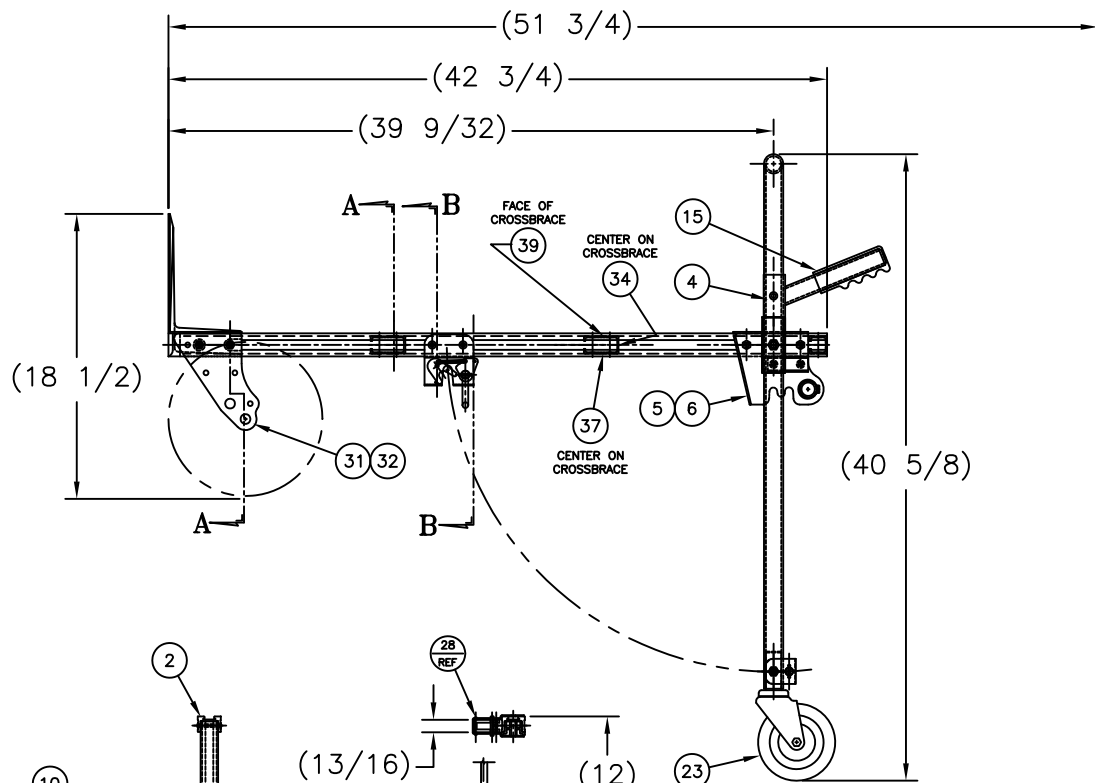


OVERALL HEIGHT WITH HANDLE FOLDED



SECTION A-A

SECTION B-B

Features for Cobra Jr. and Sr.

- 18" wide noseplate for large loads.
- Smooth and easy transition from the 2 to 4 wheeled position.
- Non-marking 5" x 1.25" swivel casters.
- 8 rivets per cross brace. Welded release pedal.
- Custom advertising side strips available--contact dealer for details.
- 2" wide cross braces for added strength and advertising labels.

Cobra Jr. Features:

- Dual hand grips for improved control.
- 3 frame cross braces.
- 12" x 38" frame bed.

REPLACEMENT PARTS LIST

ITEM	PART NO.	DESCRIPTION	QTY.
1	055105	PIVOT SOCKET WELDMENT	2
2	055113	FRAME ASSEMBLY	1
3	055094	LATCH HANDLE	1
4	055122	PIN HANDLE WELDMENT	2
5	055125	R.H. BRACKET ASS'Y	1
6	055126	L.H. BRACKET ASS'Y	1
7	055121	HANDLE	1
8	055127	FILLER CHANNEL	2
9	055099	SPREADER BAR	1
10	050229	AXLE (18 1/4)	1
11	100051	FLAT WASH.,5/8 SAE PLT	4
12	108168	5/16-18 X 2 1/4 HHCS	4
13	108152	3/8-16 X 2" HHCS	2
14	108366	FLAT WASH.7/16 SAE PLT	4
15	108949	HANDGRIP (RED) 1 1/8	2
16	108916	7/16-14 NUT, 2-WAY	2
17	108929	1/4-20 NUT, NYLOCK	6
18	108932	1/4-20 X 1 3/4 PHPS	4
19	108933	1/4-20 X 1 7/8 PHPS	2
20	108934	5/16-18 X 1 3/4 HHCS	4
21	108132	LOCKNUT 5/16 - 18	12
22	108937	1 1/8 RET.RING, BOWED	4
23	108979	CASTER (5" X 1 1/4)	2
24	108980	MOLDED SPACER	2
25	108981	MOLDED CLAMP	4
26	109019	LOAD END CAP	2
27	108984	UPPER HANDLE	1
28	109644	SPG.PIN ø1/8 X 1 1/8	2
29	108219	COTTER PIN (ø.148)	2
30	150698	WHEEL: "Z2" 10X2-3/4"	2
31	151508	R.H. AXLE BOX	1
32	151509	L.H. AXLE BOX	1
33	054010	NOSEPLATE: E16/S26	1
34	154021	WARNING LABEL	1
35	154060	"WESCO"/CAP. LABEL	1
36	108304	POLYBAG 28 X 52 X.003	1
37	154113	LABEL: FRAME WARRANTY	1
38	108169	BOLT: CARR. 5/16-18X1 4	4
39	154159	LABEL: WESCO COBRA	1

P/N

220491

Model

CBR-JR-E16-Z2

Capacity 2 wheel

600 lbs.

Capacity 4 wheel

1,200 lbs.

Approximate Weight

42.5 lbs.

Overall Height

51.75"

Frame bed

12" x 38"

Boxed

No

PRINT ISSUED

JAN 09, 2007

WESCO MANUFACTURING
ENGINEERING DEPARTMENT

THIS DRAWING IS THE PROPERTY OF WESCO MANUFACTURING CO. ALL RIGHTS OF DESIGN, INVENTION OR USE OF ARE RESERVED.

6055 01-09-07 C	ADD (5/16), (1/8) TC	04-26-06 B	DRWING INTO CAD/PL UPDATE: ROUTER	WESCO MANUFACTURING CO. NORTH WALES PENNA. 180454	ISSUED BY P. SPENCER
				PROJECT NAME CBR-JR-E16-Z2	DATE 07-30-96
				FINAL ASS'Y ALUM. 2-N-1	CHECKED BY
				QUANTITY 3 PLACE ORDER	SCALE 1/4 SCALE
				DRWING NO. 1-1/2	SHEET 1 OF 1
				DRWING ALL SHIP SIZES AND REMOVE ALL DIMS	D-220491