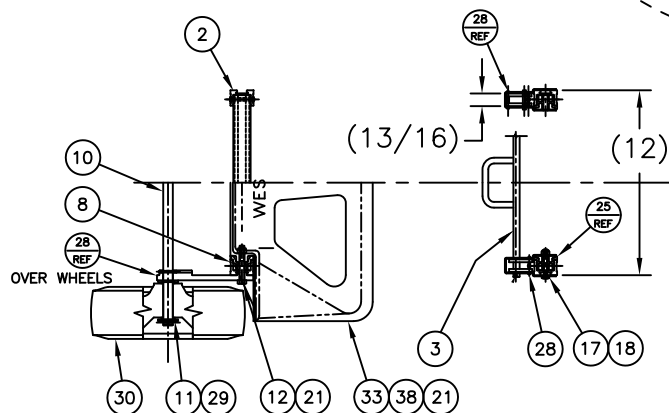
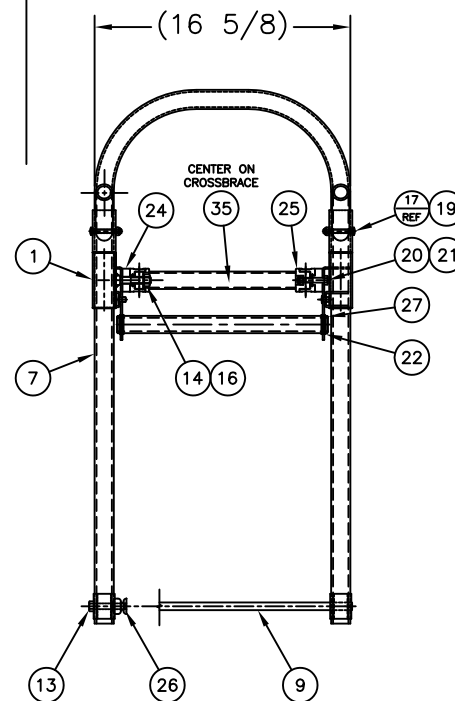
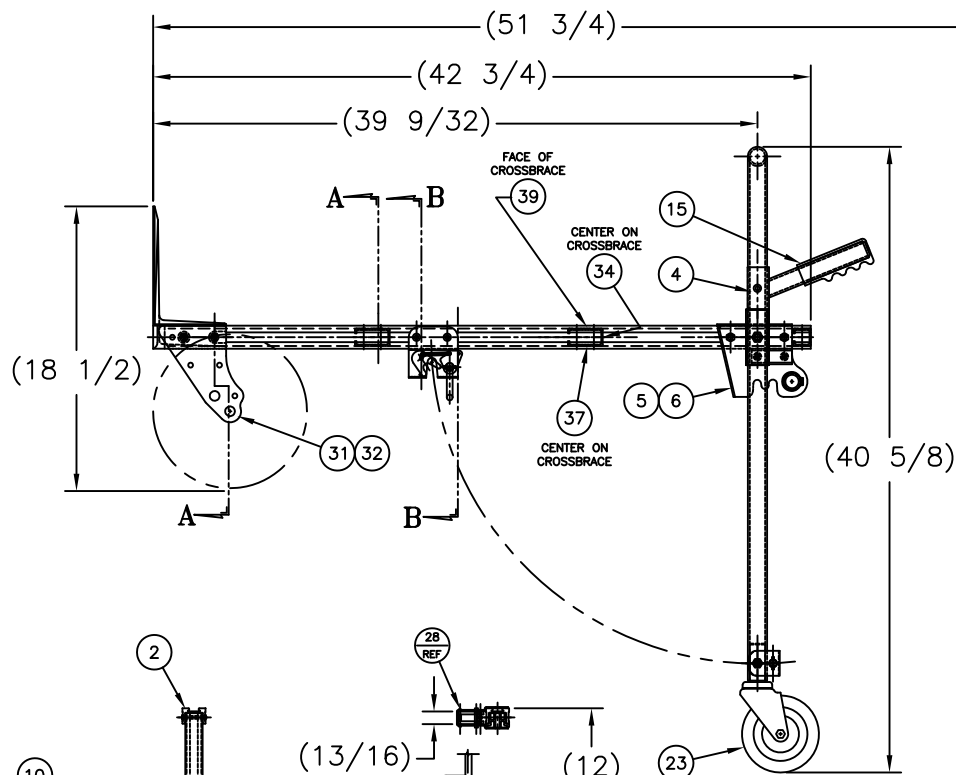


OVERALL HEIGHT WITH HANDLE FOLDED



SECTION A-A

SECTION B-B

REPLACEMENT PARTS LIST			
ITEM	PART NO.	DESCRIPTION	QTY.
1	055105	PIVOT SOCKET WELDMNT	2
2	055113	FRAME ASSEMBLY	1
3	055094	LATCH HANDLE	1
4	055122	PIN HANDLE WELDMNT	2
5	055125	R.H. BRACKET ASS'Y	1
6	055126	L.H. BRACKET ASS'Y	1
7	055121	HANDLE	1
8	055127	FILLER CHANNEL	2
9	055099	SPREADER BAR	1
10	050229	AXLE (18 1/4)	1
11	100051	FLAT WASH.,5/8 SAE PLT	4
12	108168	5/16-18 X 2 1/4 HHCS	4
13	108152	3/8-16 X 2" HHCS	2
14	108366	FLAT WASH.7/16 SAE PLT	4
15	108949	HANDGRIP (RED) 1 1/8	2
16	108916	7/16-14 NUT, 2-WAY	2
17	108929	1/4-20 NUT, NYLOCK	6
18	108932	1/4-20 X 1 3/4 PHPS	4
19	108933	1/4-20 X 1 7/8 PHPS	2
20	108934	5/16-18 X 1 3/4 HHCS	4
21	108132	LOCKNUT 5/16 - 18	12
22	108937	1 1/8 RET.RING, BOWED	4
23	108979	CASTER (5" X 1 1/4)	2
24	108980	MOLDED SPACER	2
25	108981	MOLDED CLAMP	4
26	109019	LOAD END CAP	2
27	108984	UPPER HANDLE	1
28	109644	SPG.PIN ø1/8 X 1 1/8	2
29	108219	COTTER PIN (ø.148)	2
30	151507	WHEEL: "PWT" 10 X 3.50"	2
31	151508	R.H. AXLE BOX	1
32	151509	L.H. AXLE BOX	1
33	054010	NOSEPLATE: E16/S26	1
34	154021	WARNING LABEL	1
35	154060	"WESCO"/CAP. LABEL	1
36	108304	POLYBAG 28 X 52 X.003	1
37	154113	LABEL: FRAME WARRANTY	1
38	108169	BOLT: CARR. 5/16-18X1 4	4
39	154159	LABEL: WESCO COBRA	1

Features for Cobra Jr. and Sr.

- 18" wide noseplate for large loads.
- Smooth and easy transition from the 2 to 4 wheeled position.
- Non-marking 5" x 1.25" swivel casters.
- 8 rivets per cross brace. Welded release pedal.
- Custom advertising side strips available-contact dealer for details.
- 2" wide cross braces for added strength and advertising labels.

Cobra Jr. Features:

- Dual hand grips for improved control.
- 3 frame cross braces.
- 12" x 38" frame bed.

P/N 220483

Model CBR-JR-E16-PWT
 Capacity 2 wheel 600 lbs.
 Capacity 4 wheel 1,200 lbs.
 Approximate Weight 39 lbs.
 Overall Height 51.75"
 Frame bed 12" x 38"
 Boxed No

THIS DRAWING IS AN INSTRUMENT OF WESCO MFG. CO. PROPERTY. ALL RIGHTS OF DESIGN, INVENTION OR USE ARE RESERVED.

PRINT ISSUED
 DEC 28, 2006
 WESCO MANUFACTURING
 ENGINEERING DEPARTMENT

6055 12/28/06 C ADD 154158 TC ADD 154159	04-26-06 B DRAWING AND CAD UPDATE ROUTER	WESCO MANUFACTURING CO. NORTH WALES, PENNA. 19454	PART NAME CBR-JR-E16-PWT FINAL ASSY ALUM. 2-N-1	DATE 07-30-96
PREPARED BY: P. SPENCER CHECKED BY: P. SPENCER DATE: 07-30-96 SCALE: 1/4 SCALE SHEET: 1 OF 1 D-220483				