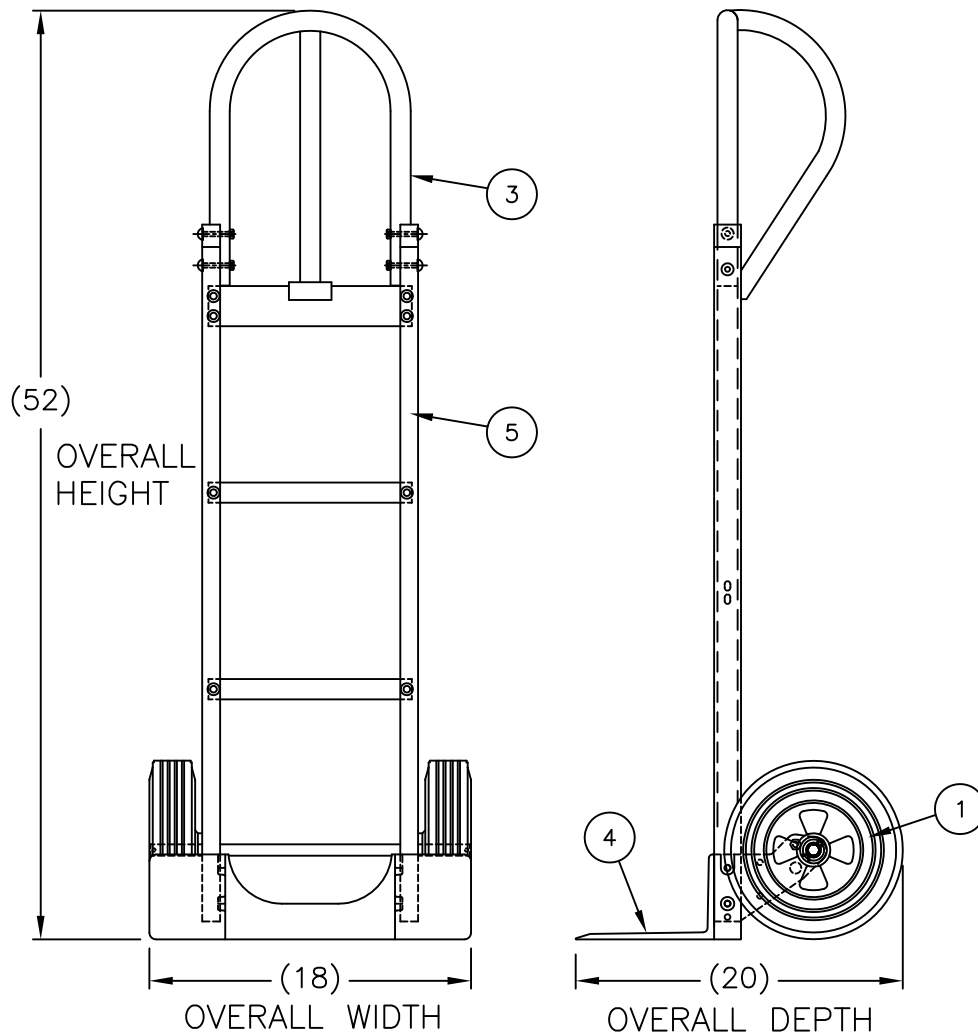


220399



REPLACEMENT PARTS LIST

ITEM	PART NO.	DESCRIPTION	QTY.
1	054230	KIT: WHEEL "Z2" WESCO-LITE	1
* 2	108990	BOX: 40-1/2" X 13 X 10	1
3	151510	HANDLE: "D"	1
4	151533	NOSEPLATE (18")	1
5	153855	KIT: STRAIGHT FRAME #0	1

COBRA-LITE FEATURES:

- All aluminum construction.
 - Heavy duty cast 7.5" X 14" or 7.5" X 18" wide nose plate options.
 - Quality light weight truck at an economical price.
 - Ships KD and boxed or as components
 - Assembly option available.
 - All 2" wide cross braces for additional strength.
- Great for advertising label.

Series 470 Features:

- High back loop handle.
- 52" overall height.

P/N 220399

Model 470-T18-Z2
 Weight 27.5 lbs
 Capacity 600 lbs
 Box No
 Wheel 10" x 2.75"
 Type Solid Rubber
 Hub Poly Offset

THIS DRAWING IN ALL PARTICULARS IS WESCO MFR. CO. PROPERTY. ALL RIGHTS OF DESIGN, INVENTION OR USE OF ARE RESERVED.

PRINT ISSUED

APR 19, 2006

WESCO MANUFACTURING
ENGINEERING DEPARTMENT

REV.	REV. ECH & DATE	DESCRIPTION	APP.
B	02-06-13	UPDATED	R W S
A	04-19-06	DRAWN INTO CAD KL UPDATED ROUTER	APP

WESCO MANUFACTURING CO.		NORTH WALES PENNA. 19454	
PART NAME		470-T18-Z2 (COBRA-LITE)	
DRAWN: SKH		4-21-93	
CHECKED: GRB		3-14-95	
APP. ENGR.		SCALE: 7" = 1"	
TOLERANCE UNLESS OTHERWISE SPECIFIED		FRACTION 3 PLACE DECIMAL 2 PLACE DECIMAL	
± 1/64 ± .005 ± .01		ANGULAR ± 1-1/2"	
SHEET 1 OF 1		B-220399	
BREAK ALL SHARP EDGES AND REMOVE ALL BURRS		REV B	